

FITTING INSTRUCTIONS

> Range Rover



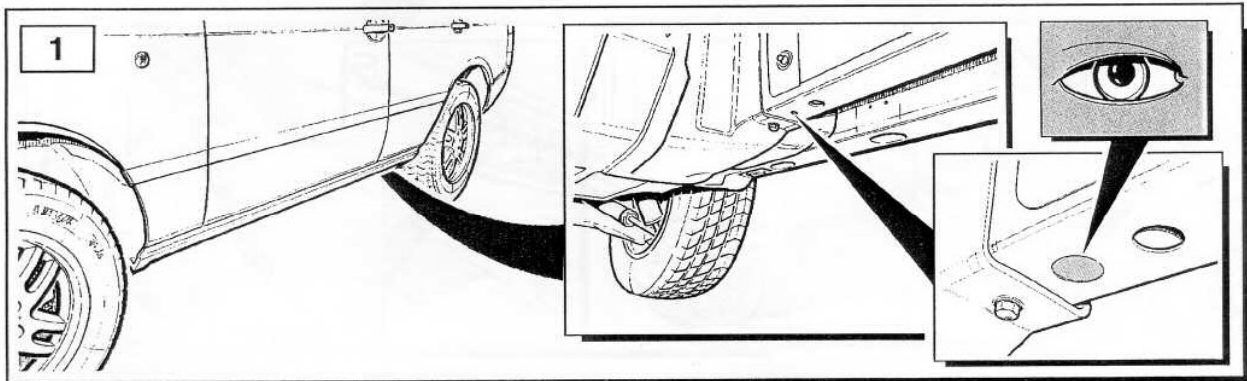
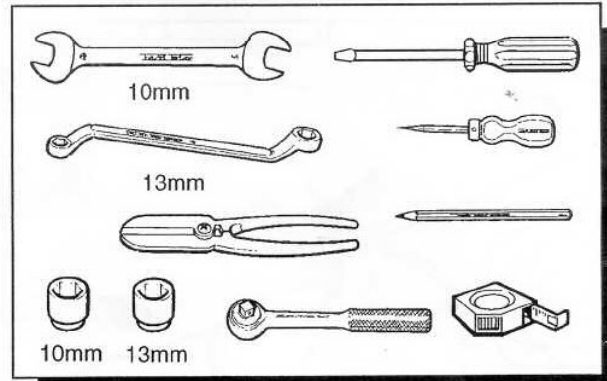
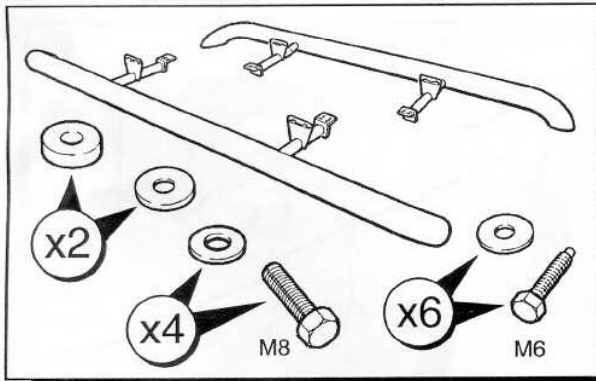
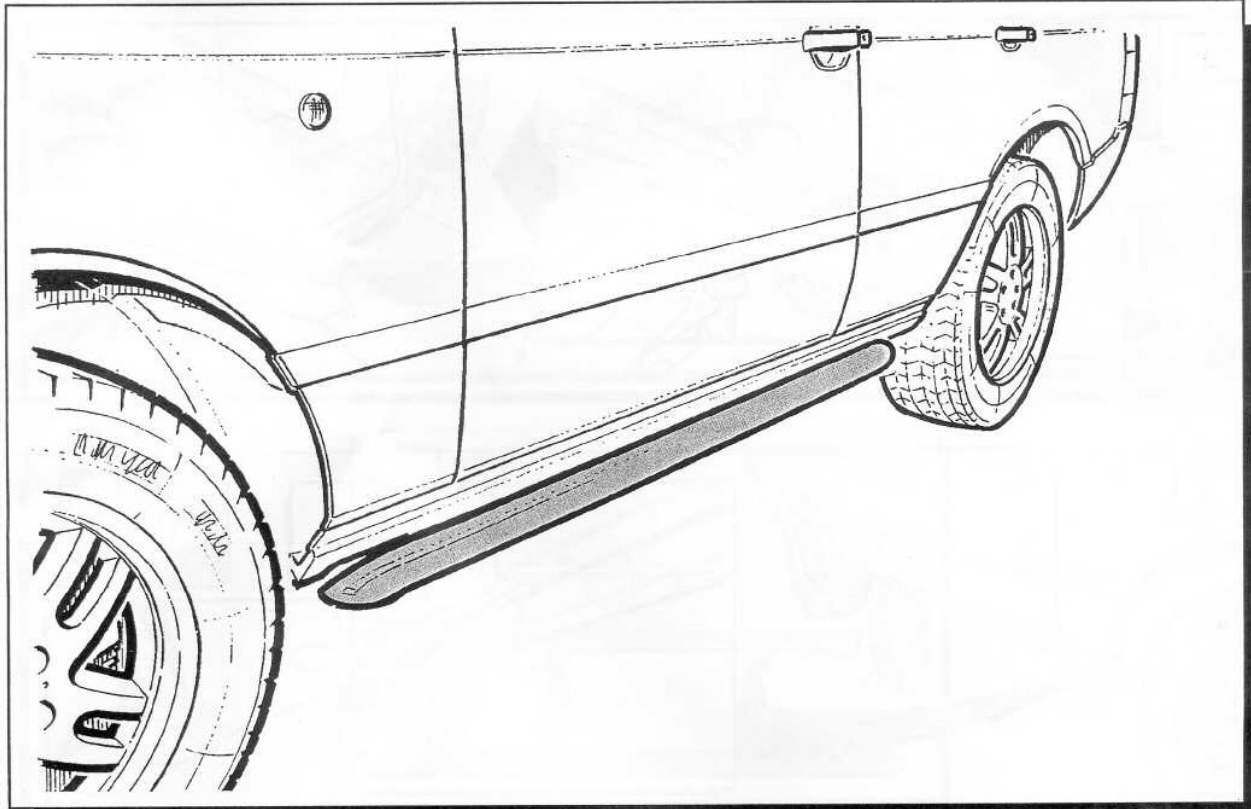
Side Protection Tubes

BRITPART

The quality parts for Land Rovers

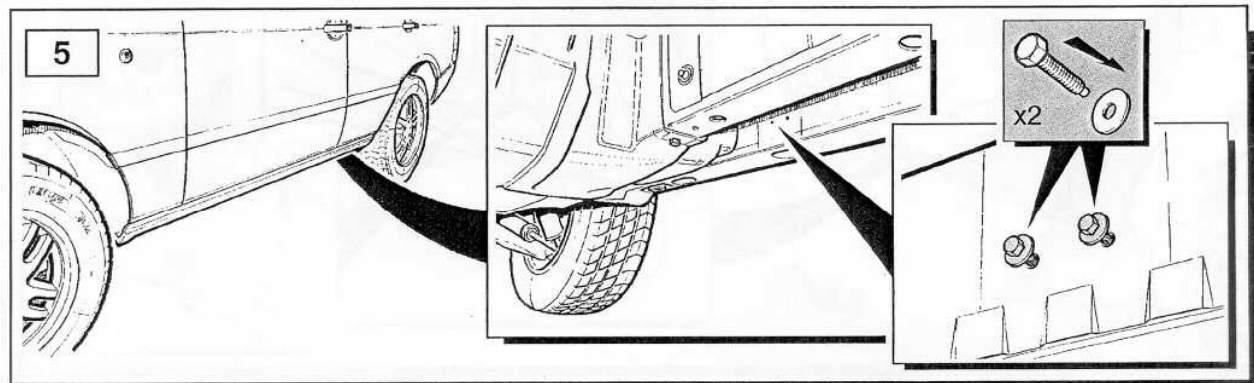
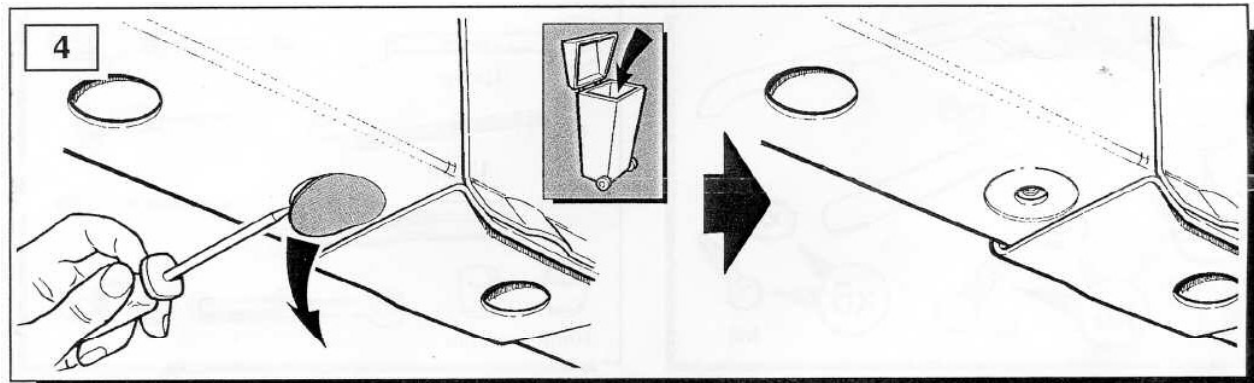
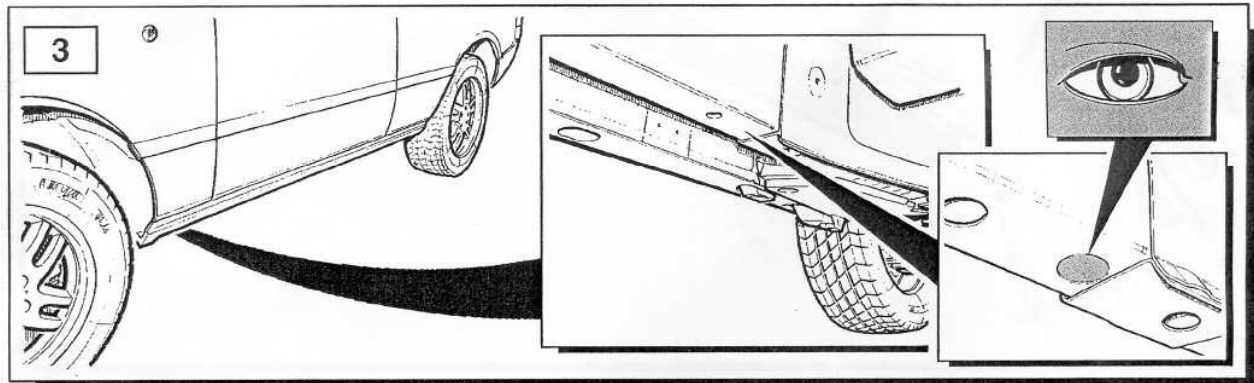
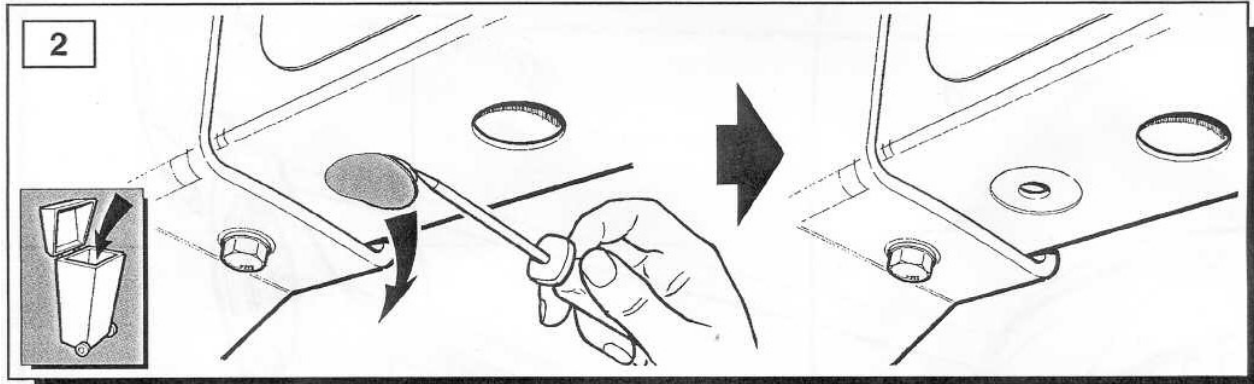
Fitting Instructions

Range Rover - Side Protection Tubes



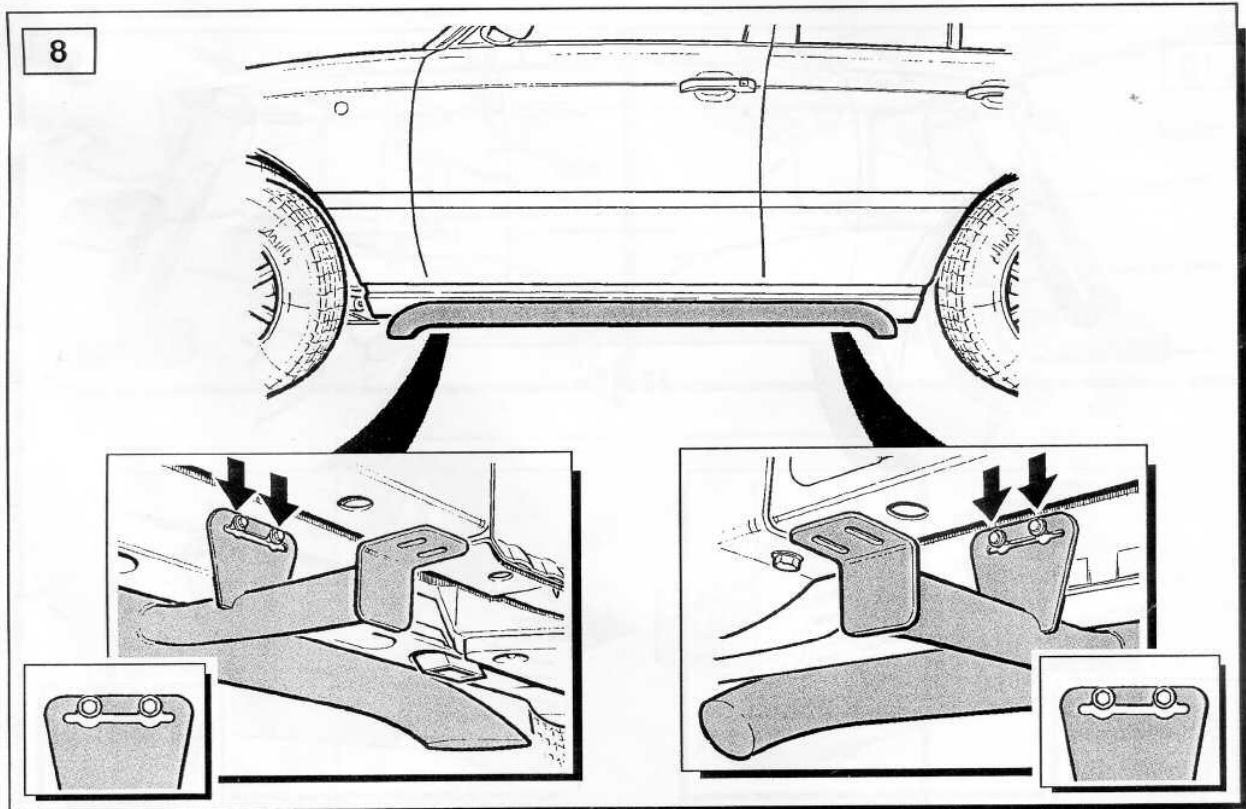
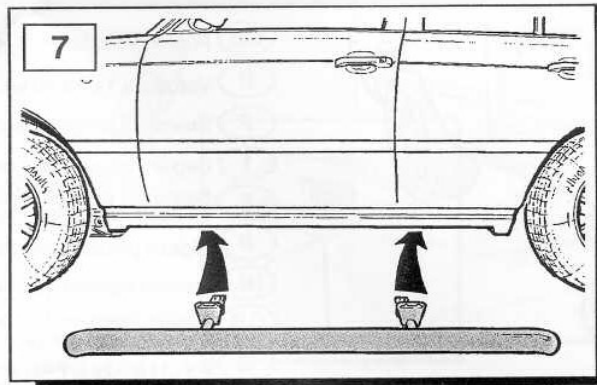
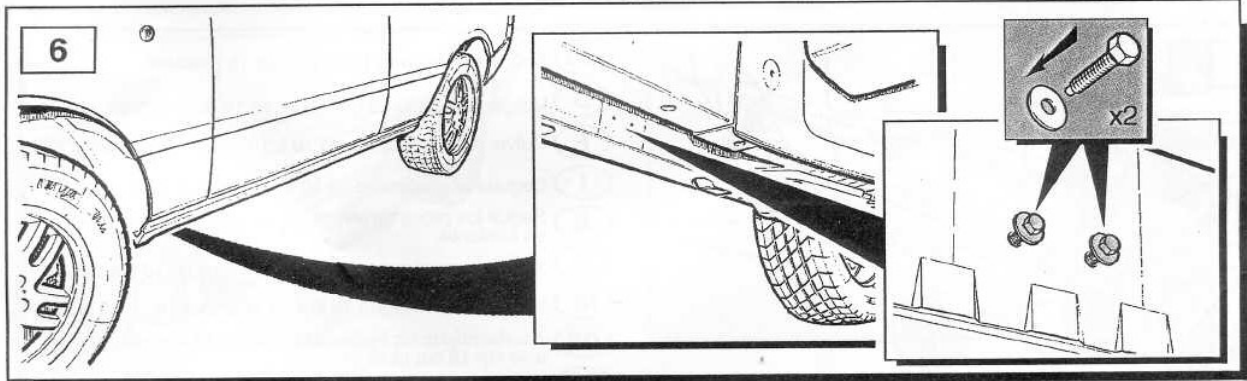
Fitting Instructions

Range Rover - Side Protection Tubes



Fitting Instructions

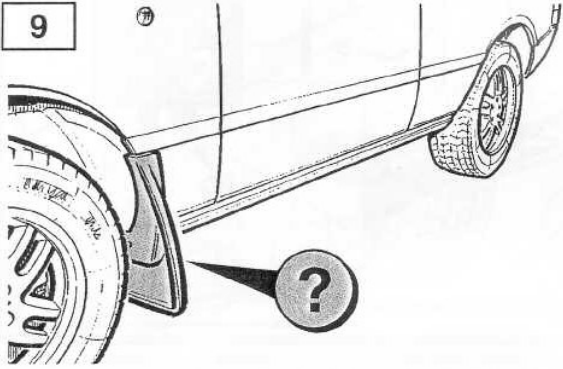
Range Rover - Side Protection Tubes



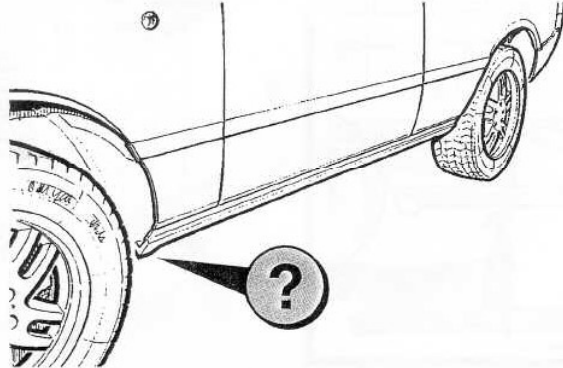
Fitting Instructions

Range Rover - Side Protection Tubes

9



Follow procedures 10 to 13 then 18 onwards.



Follow procedures 14 to 29 then 35 onwards.

10

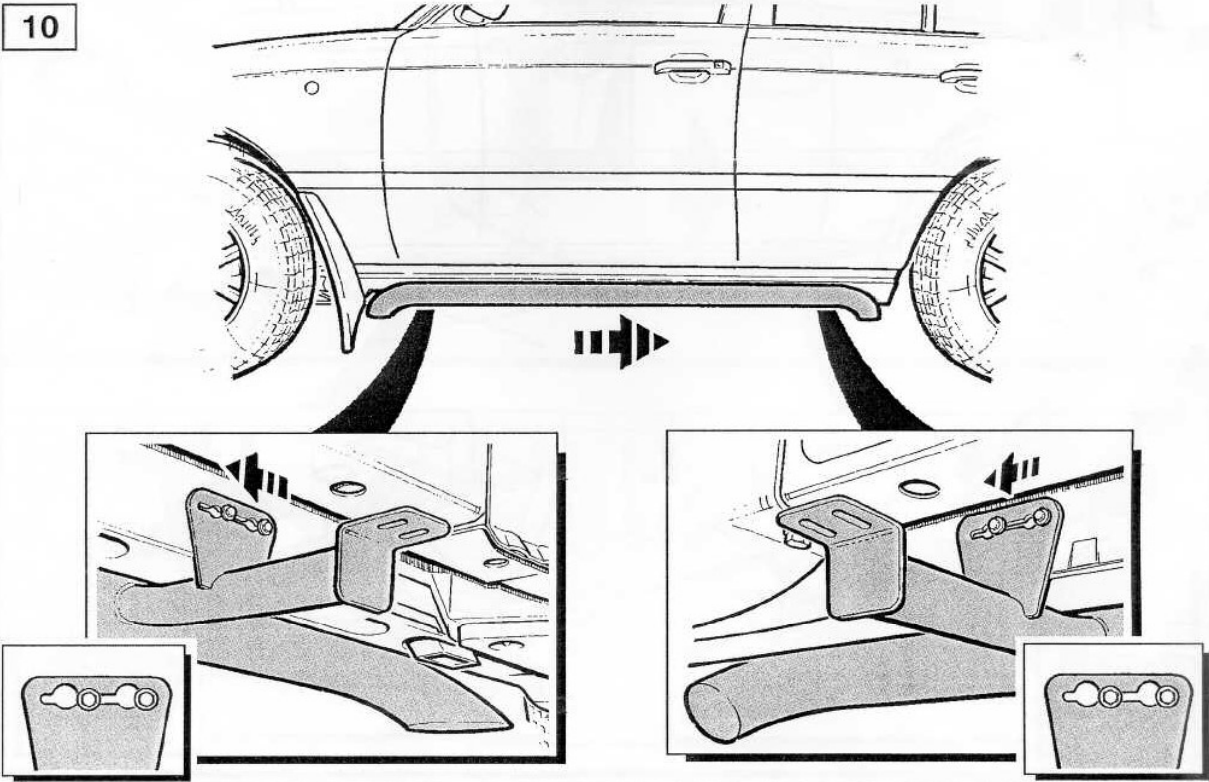


Diagram 10 illustrates the installation of the side protection tube. The main diagram shows the tube being positioned along the chassis rails. A large arrow indicates the direction of movement. Two inset diagrams show the tube being secured with a bracket and a bolt. The left inset shows the bracket being placed over the tube, and the right inset shows the bolt being inserted through the bracket and the tube.