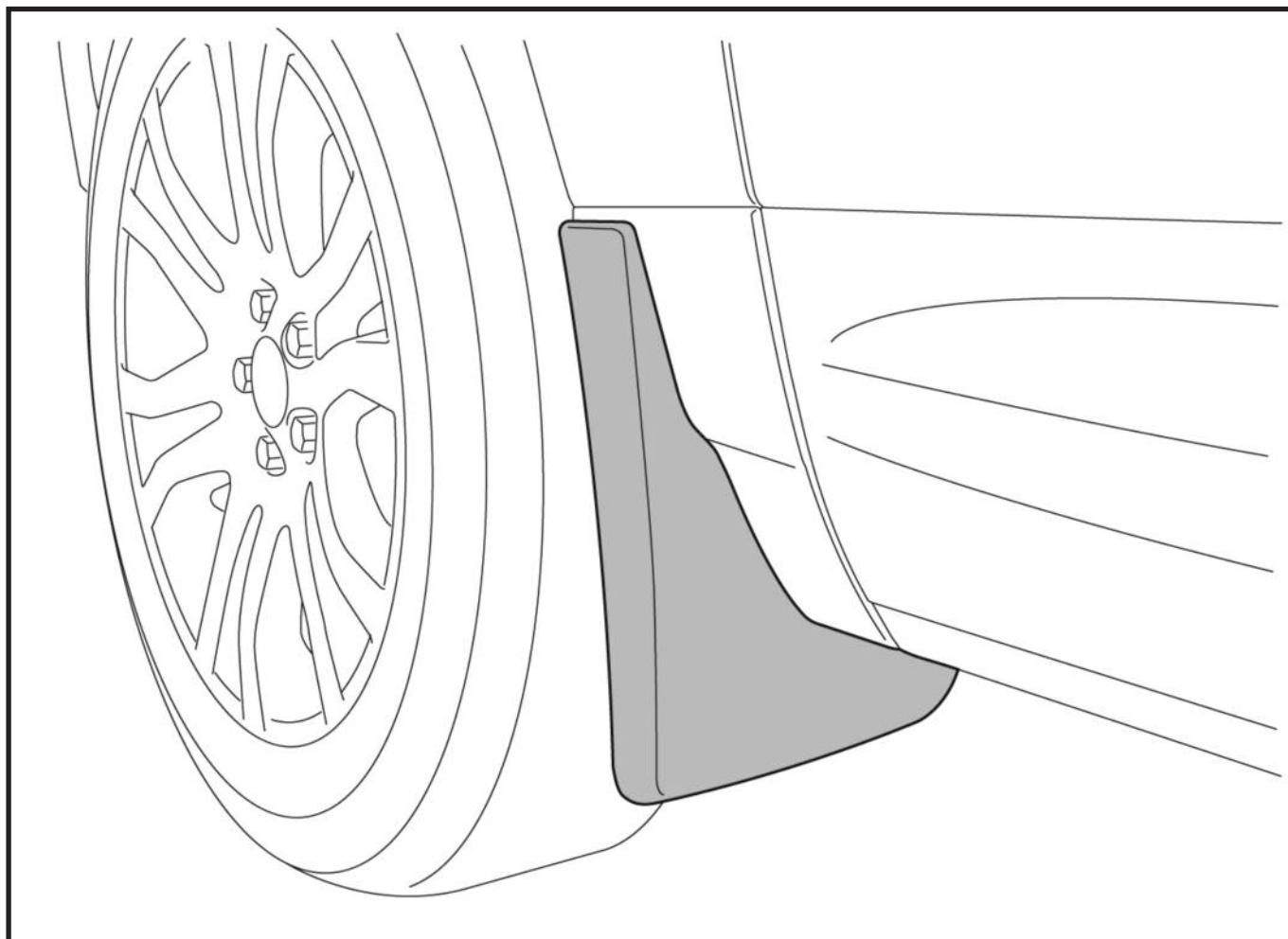


FITTING INSTRUCTIONS

> Freelander 2



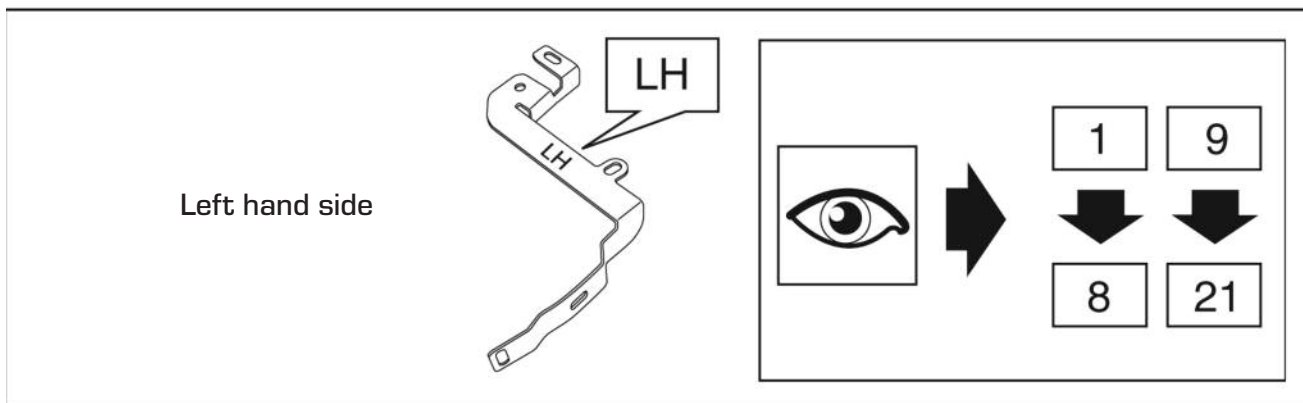
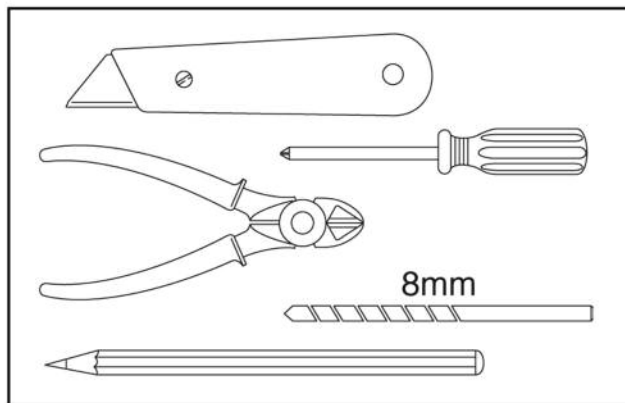
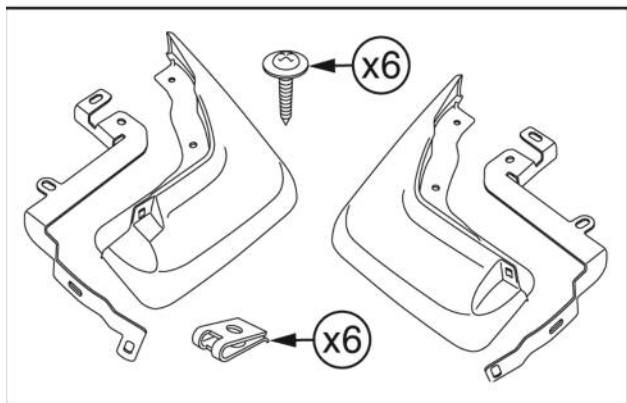
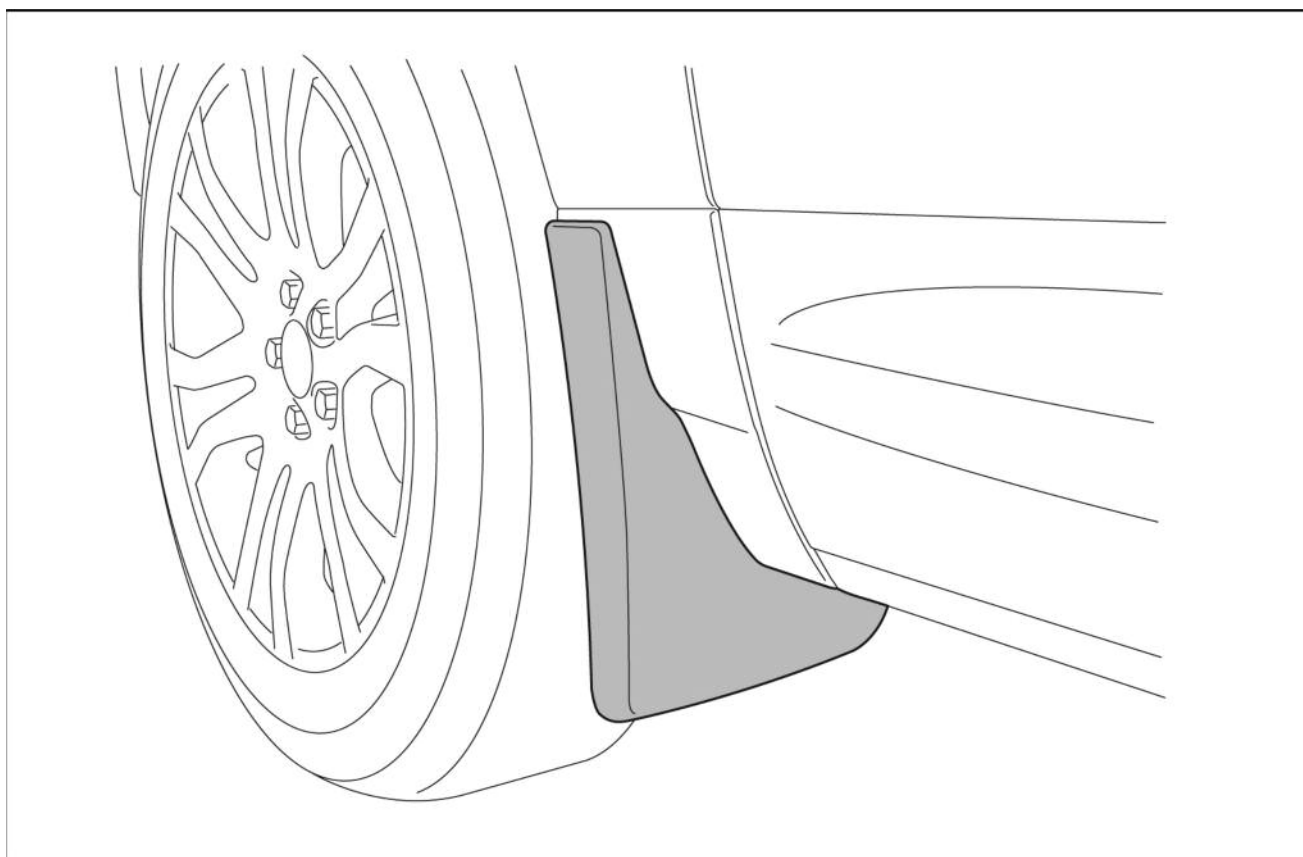
Front Mudflaps

BRITPART

The quality parts for Land Rovers

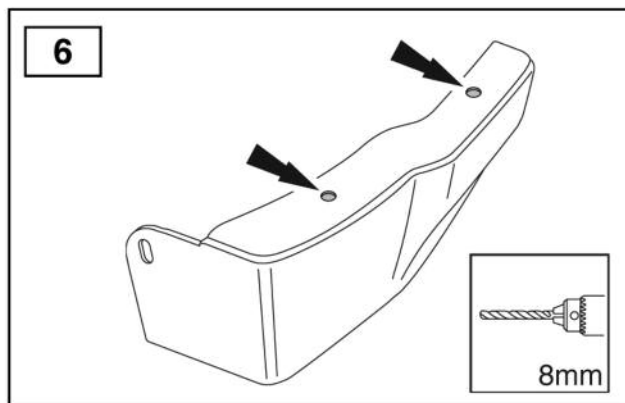
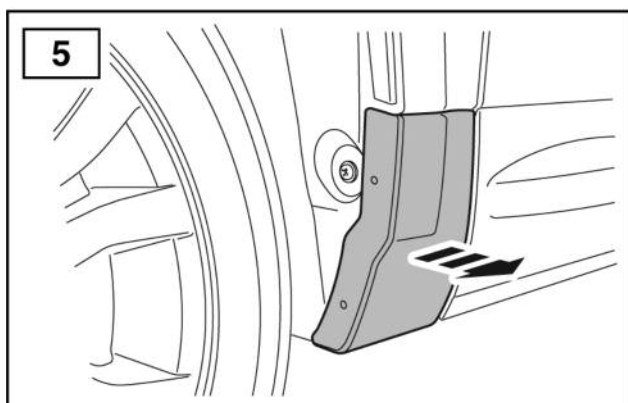
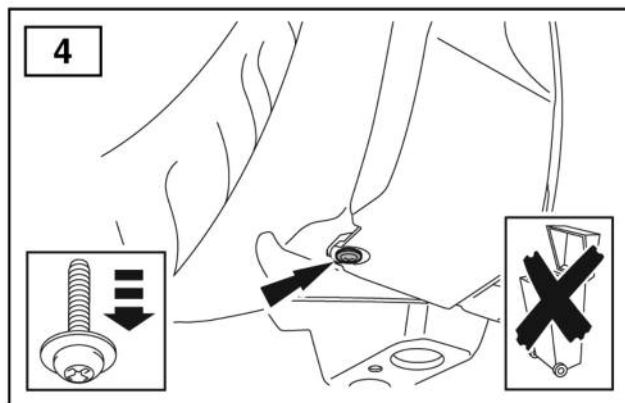
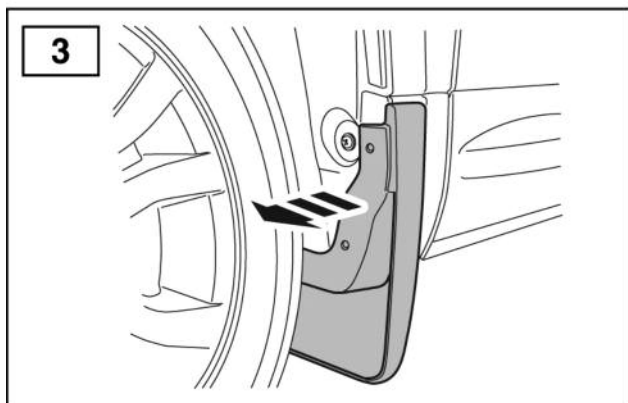
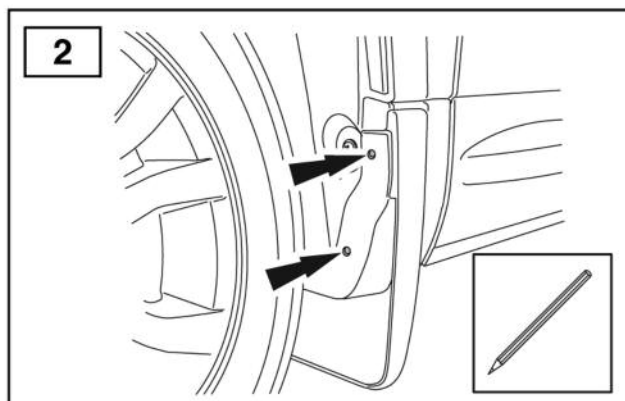
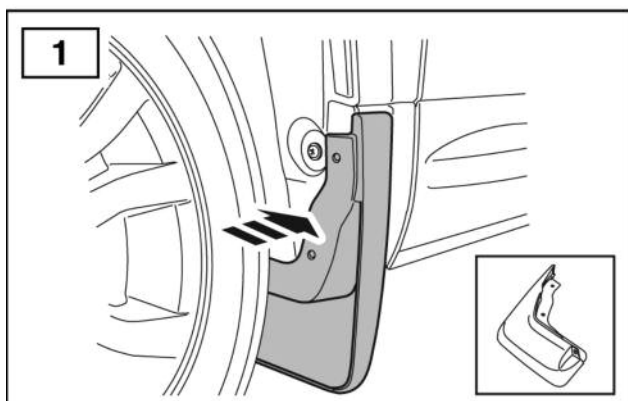
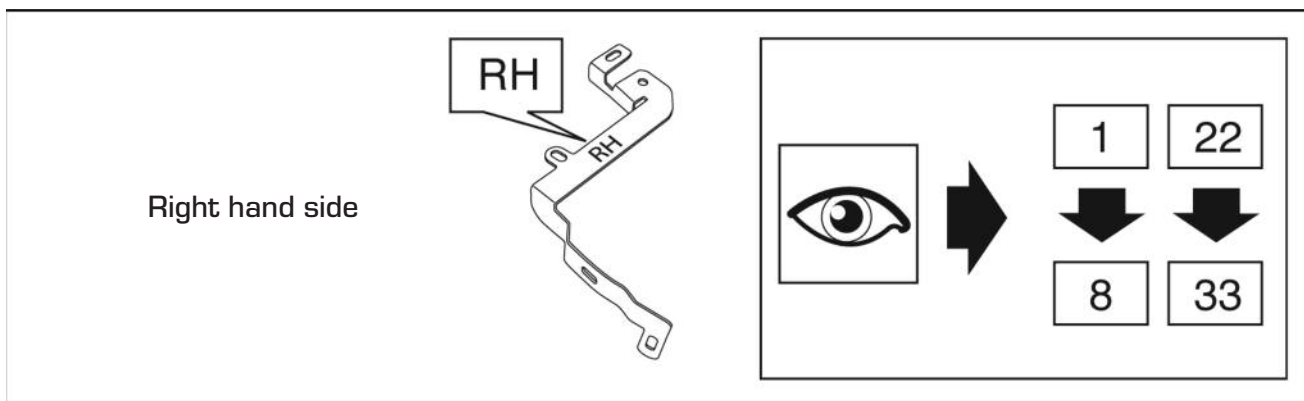
Fitting Instructions

Freelander 2 - Front Mudflaps



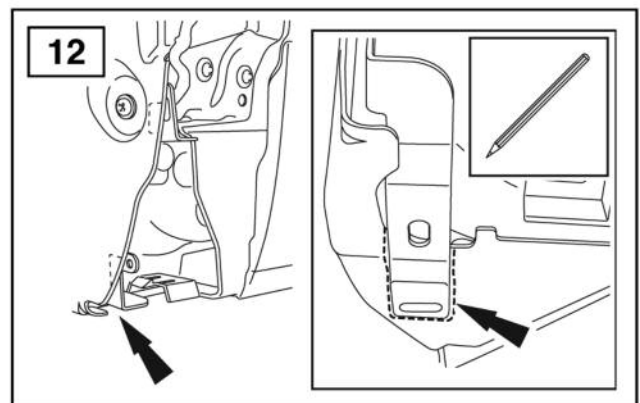
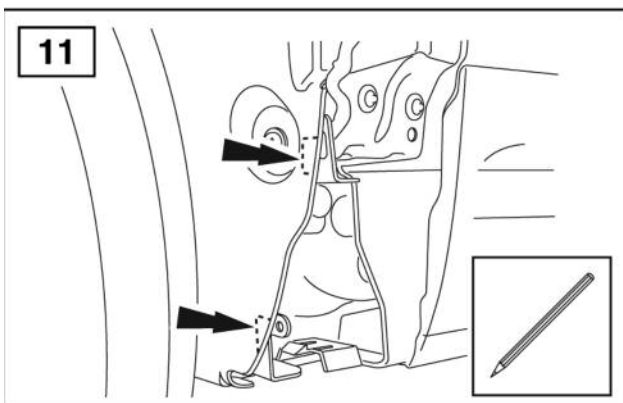
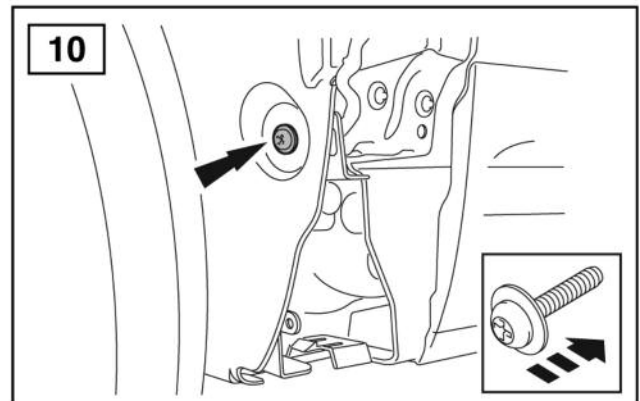
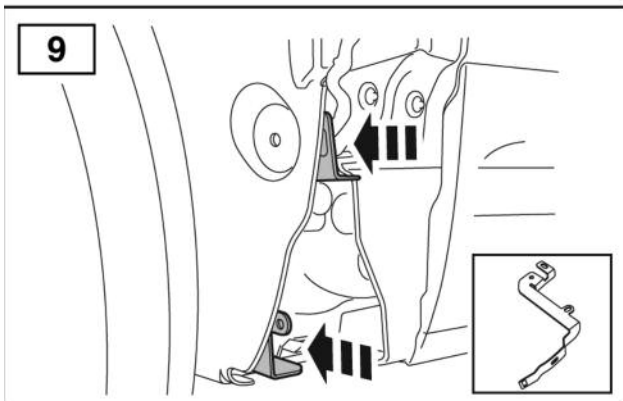
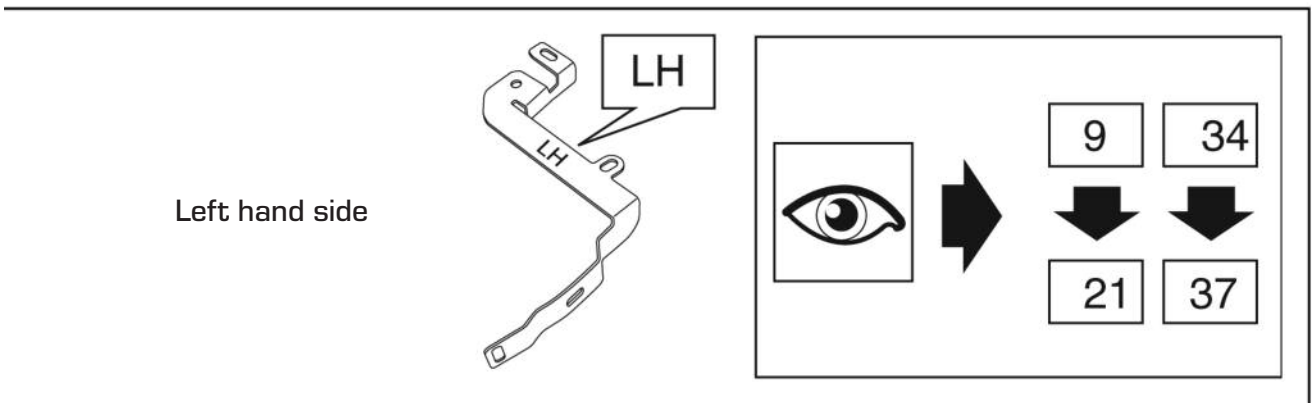
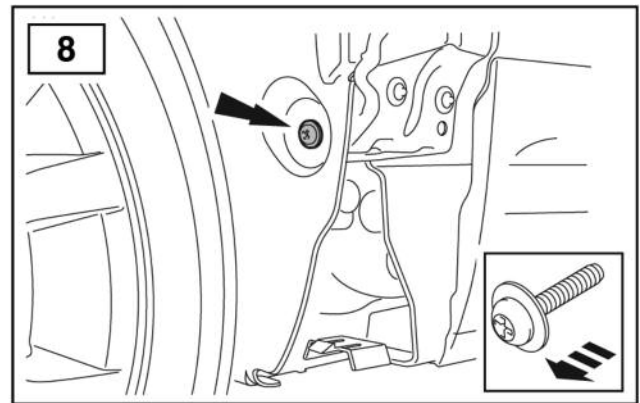
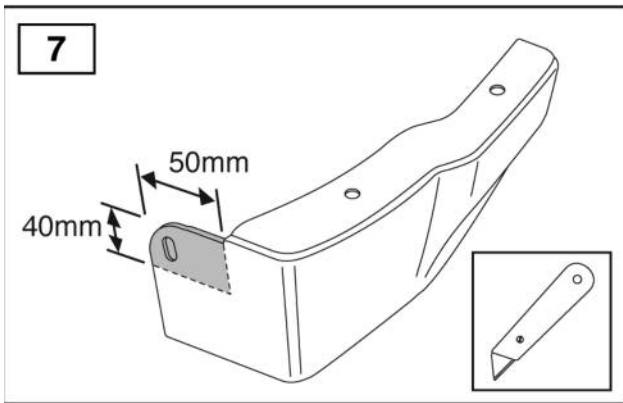
Fitting Instructions

Freelander 2 - Front Mudflaps



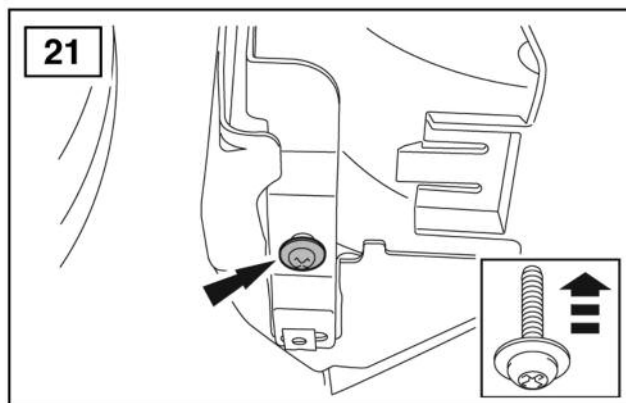
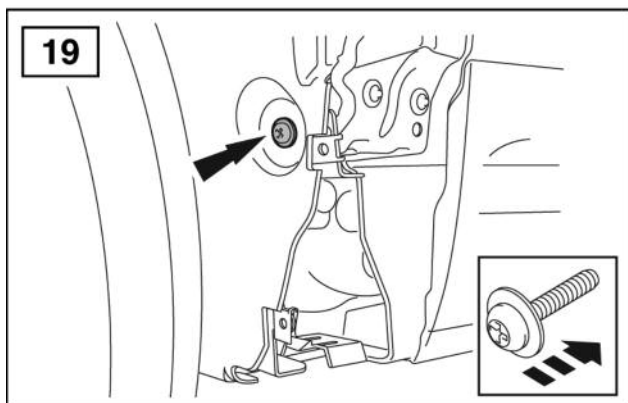
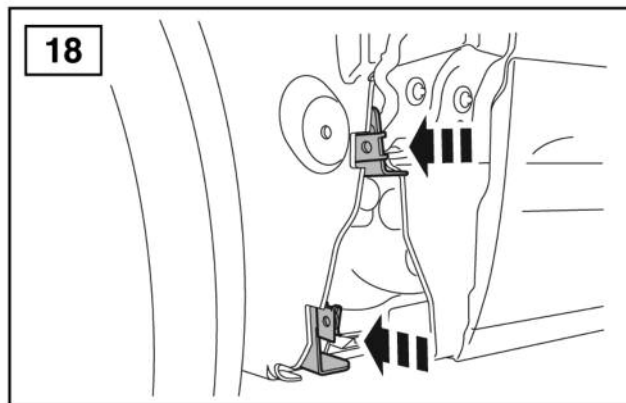
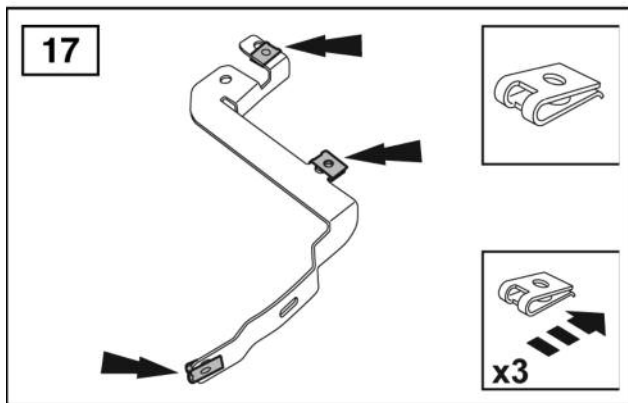
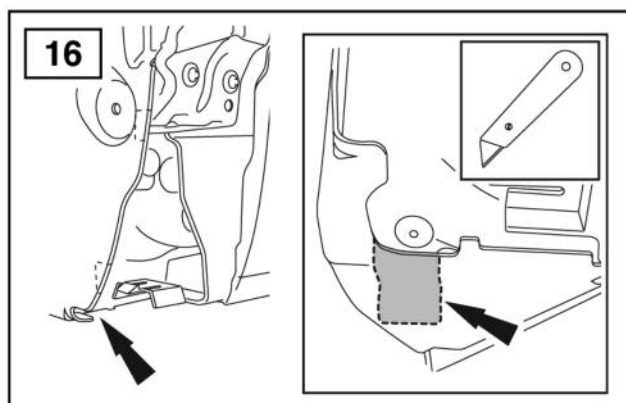
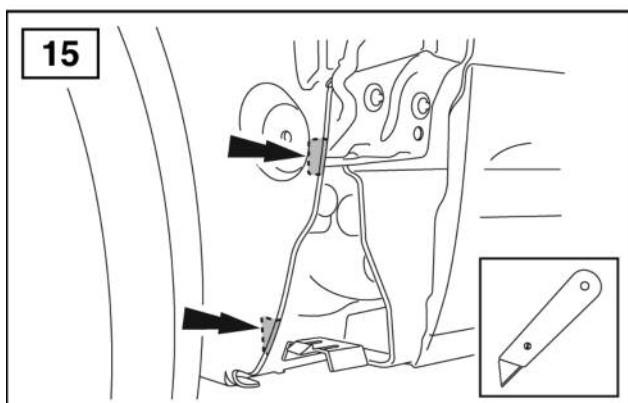
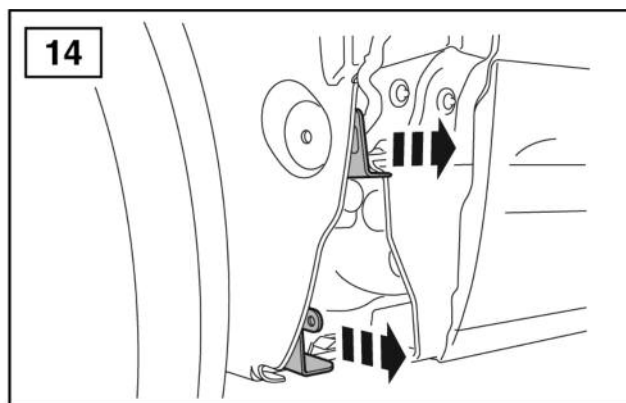
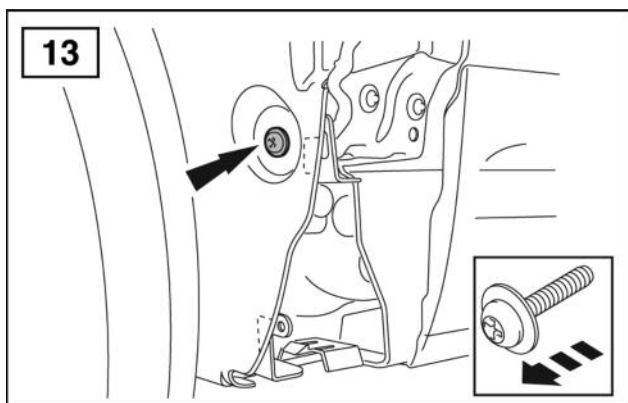
Fitting Instructions

Freelander 2 - Front Mudflaps



Fitting Instructions

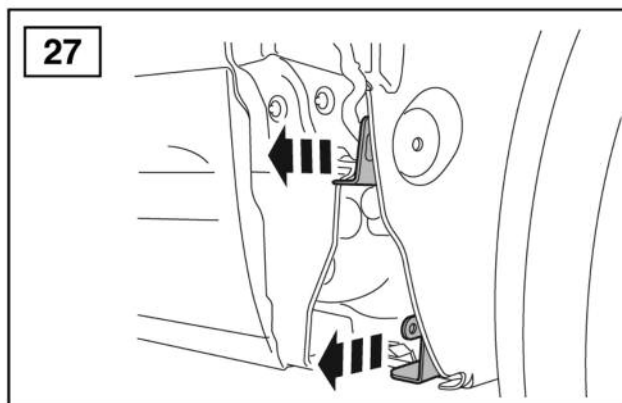
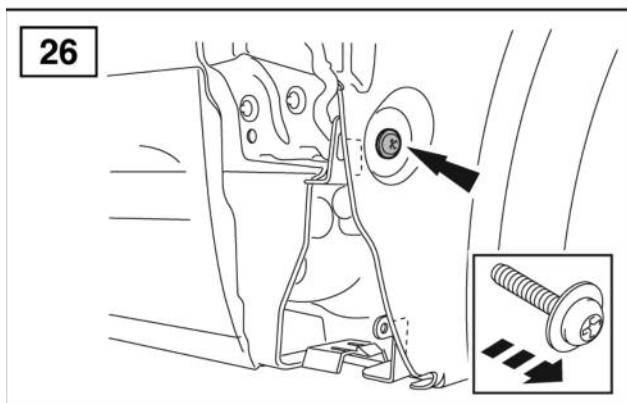
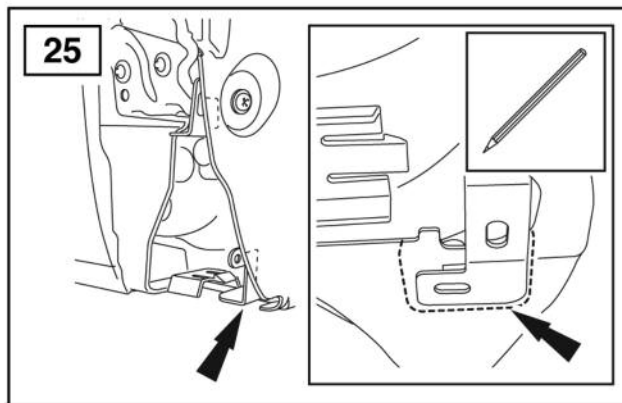
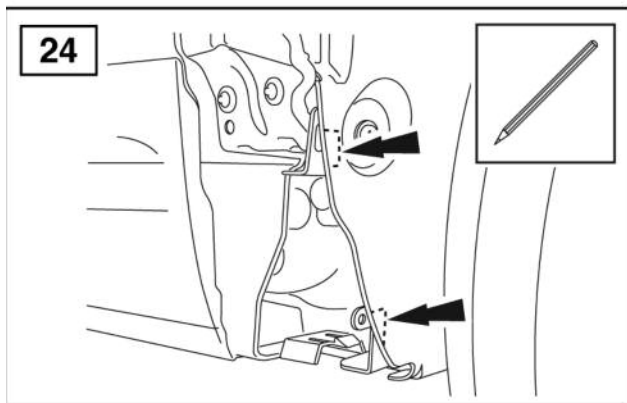
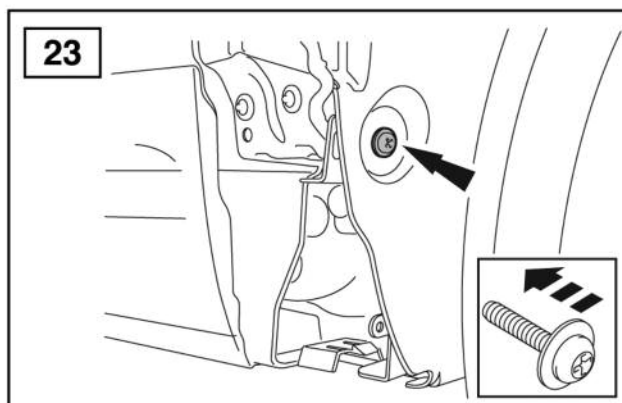
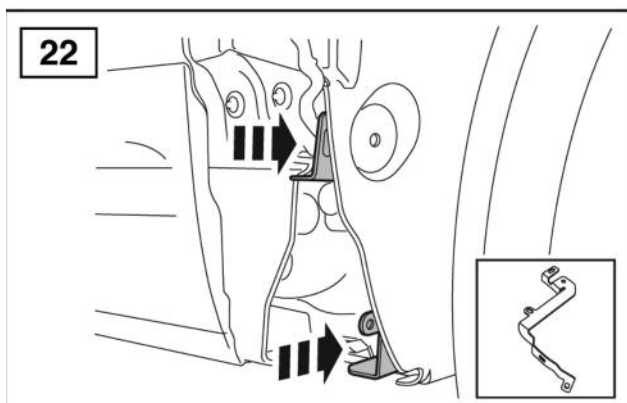
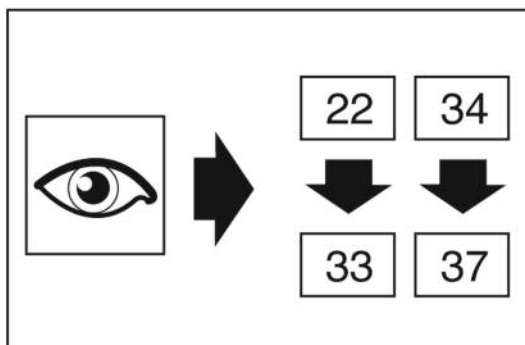
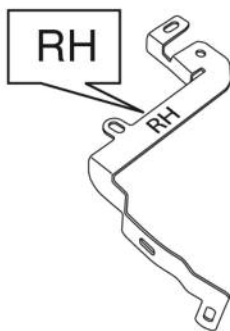
Freelander 2 - Front Mudflaps



Fitting Instructions

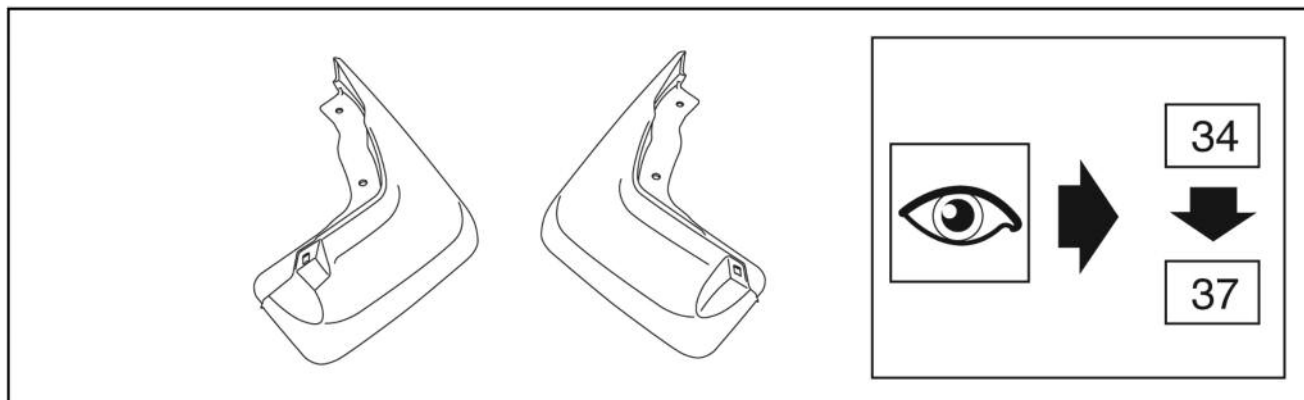
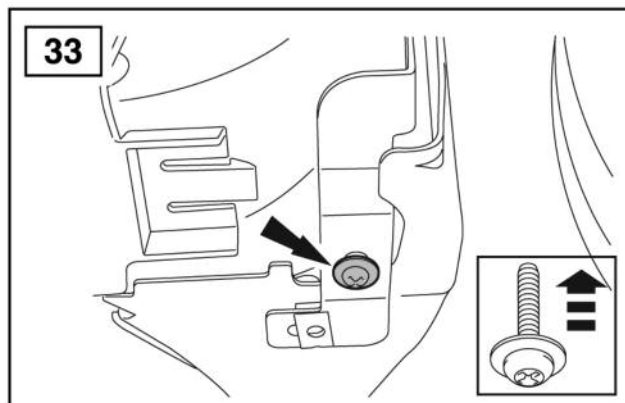
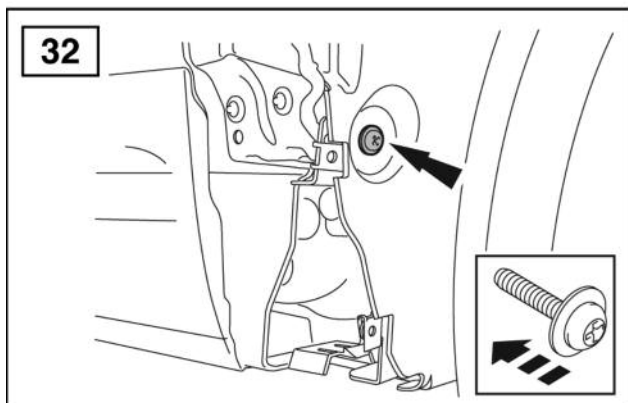
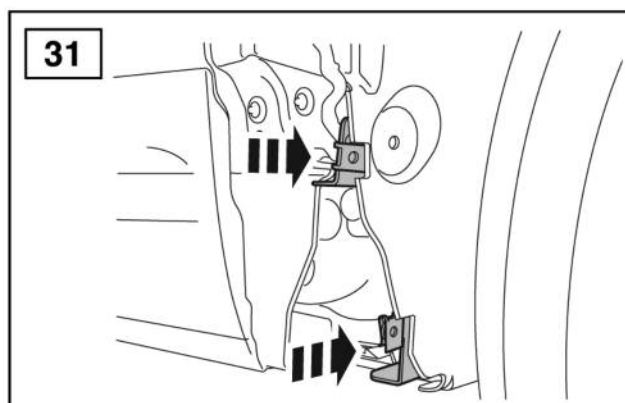
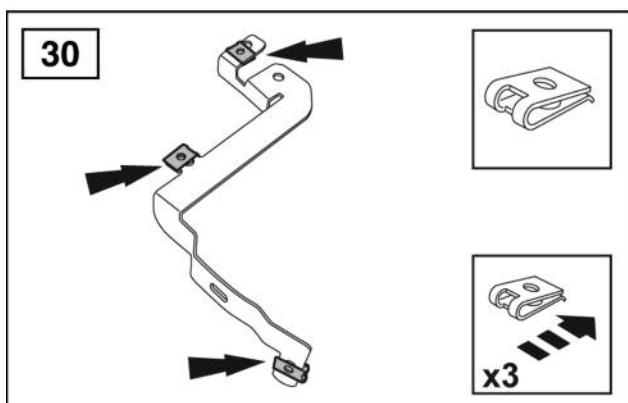
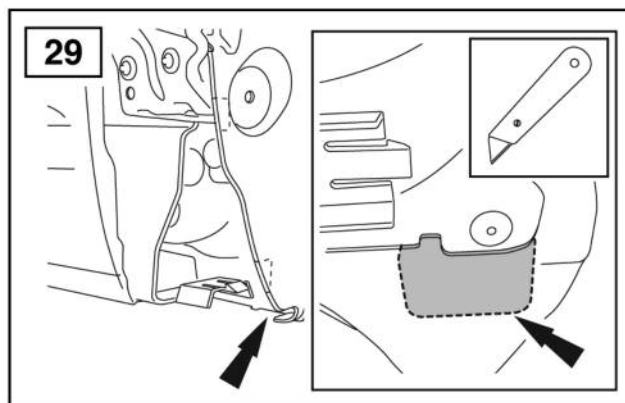
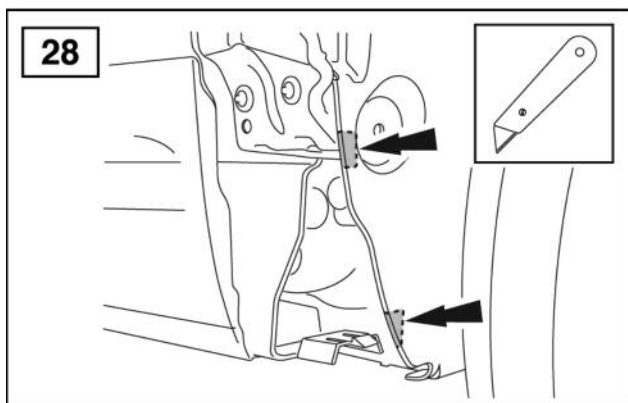
Freelander 2 - Front Mudflaps

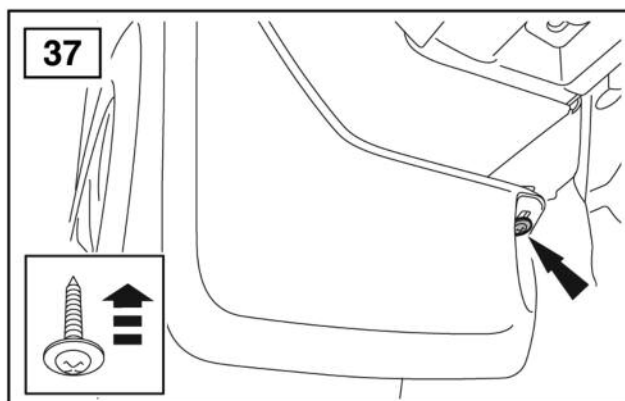
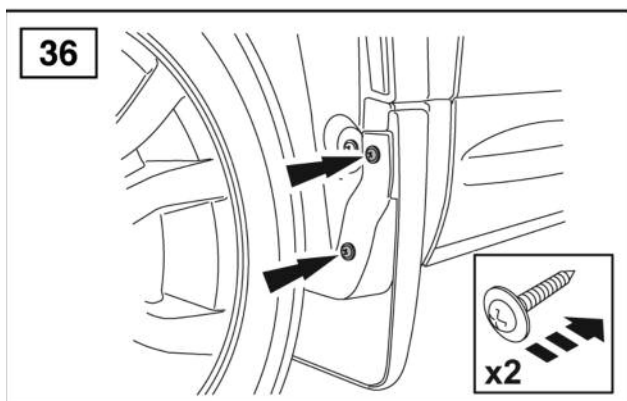
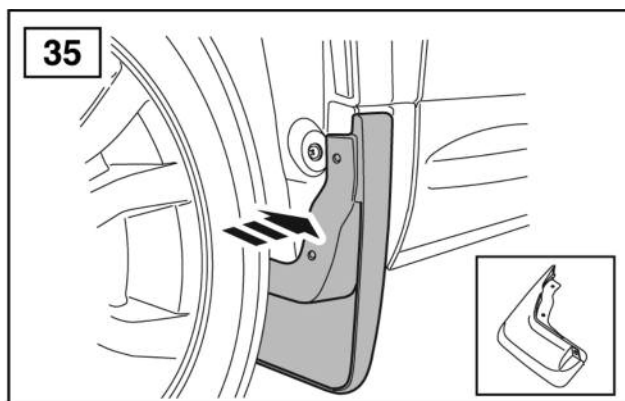
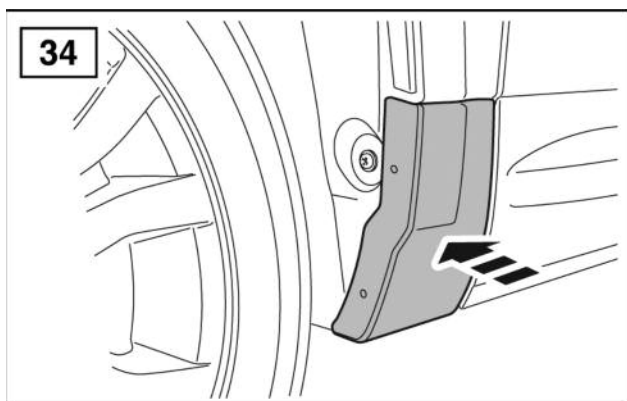
Right hand side



Fitting Instructions

Freelander 2 - Front Mudflaps





WARNING

Accessories which are not properly fitted can be dangerous.

Read the instructions carefully prior to fitting.

Whilst fitting, comply with the instructions at all times.