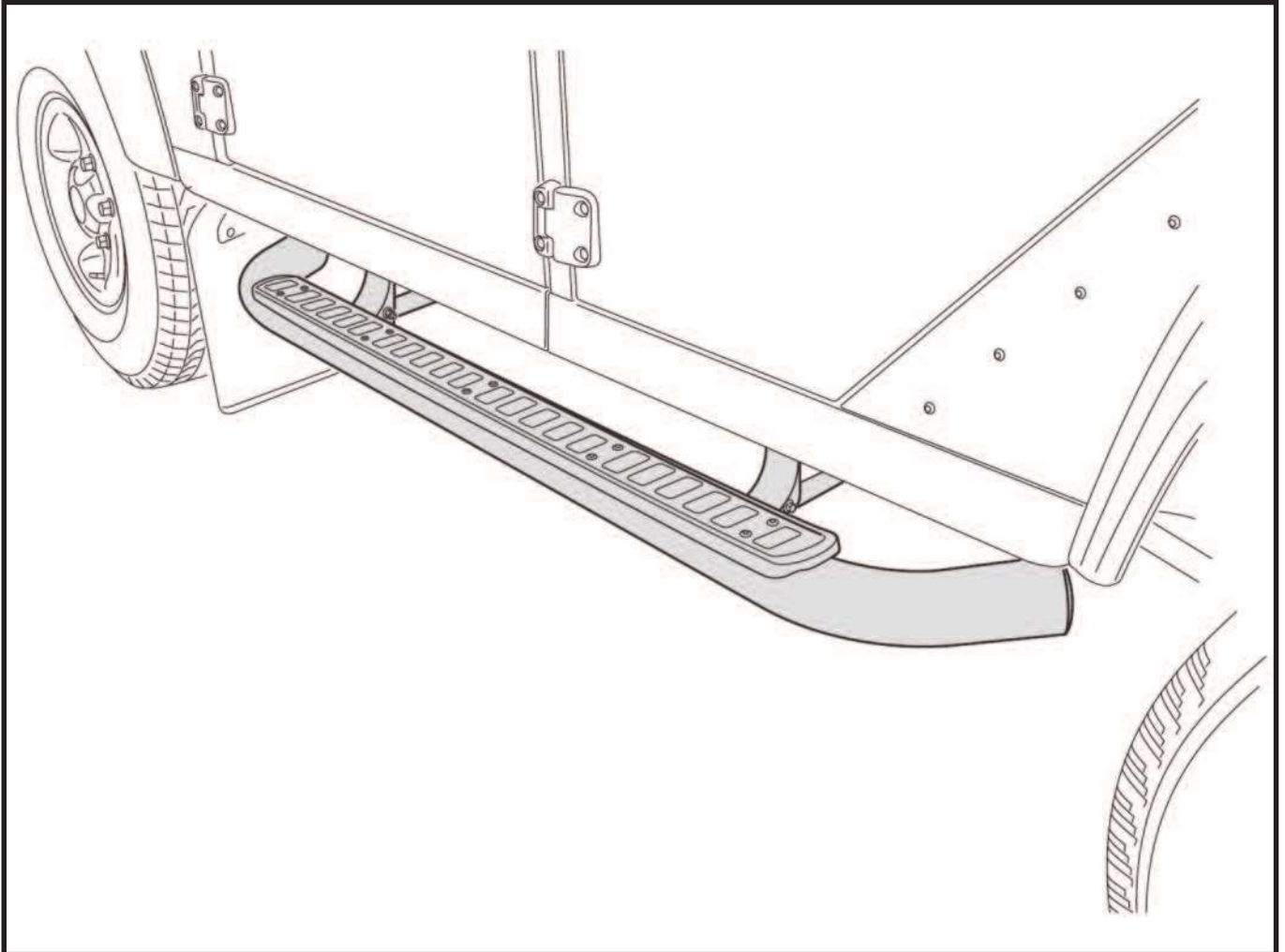


# FITTING INSTRUCTIONS

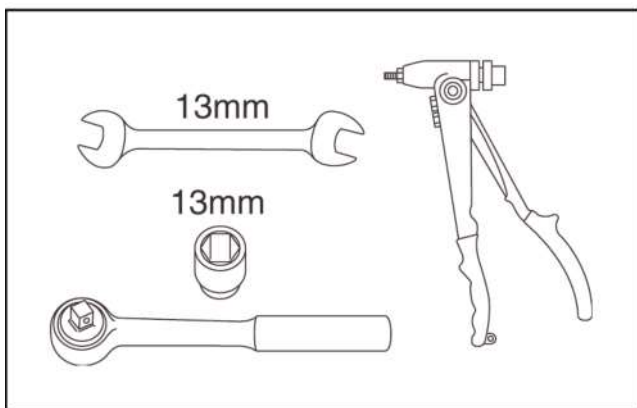
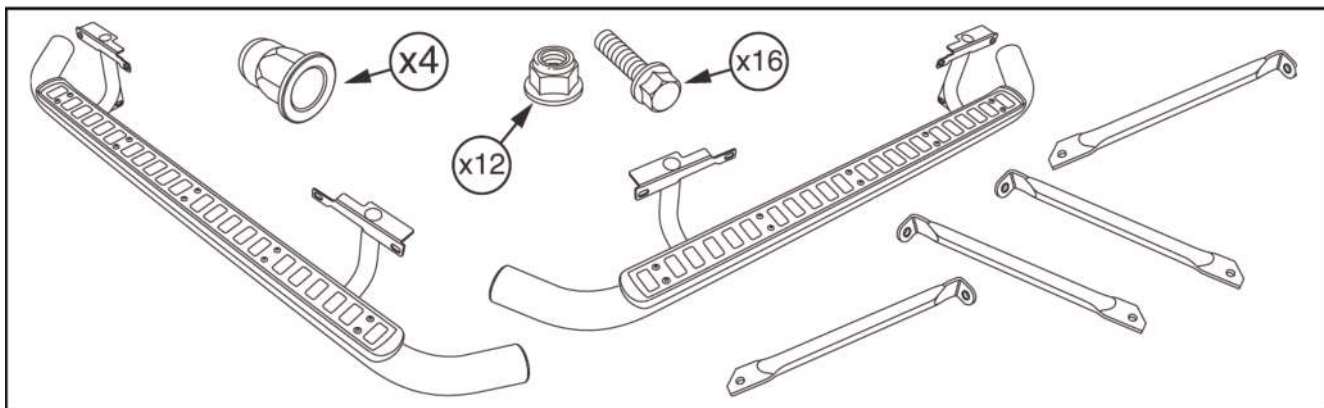
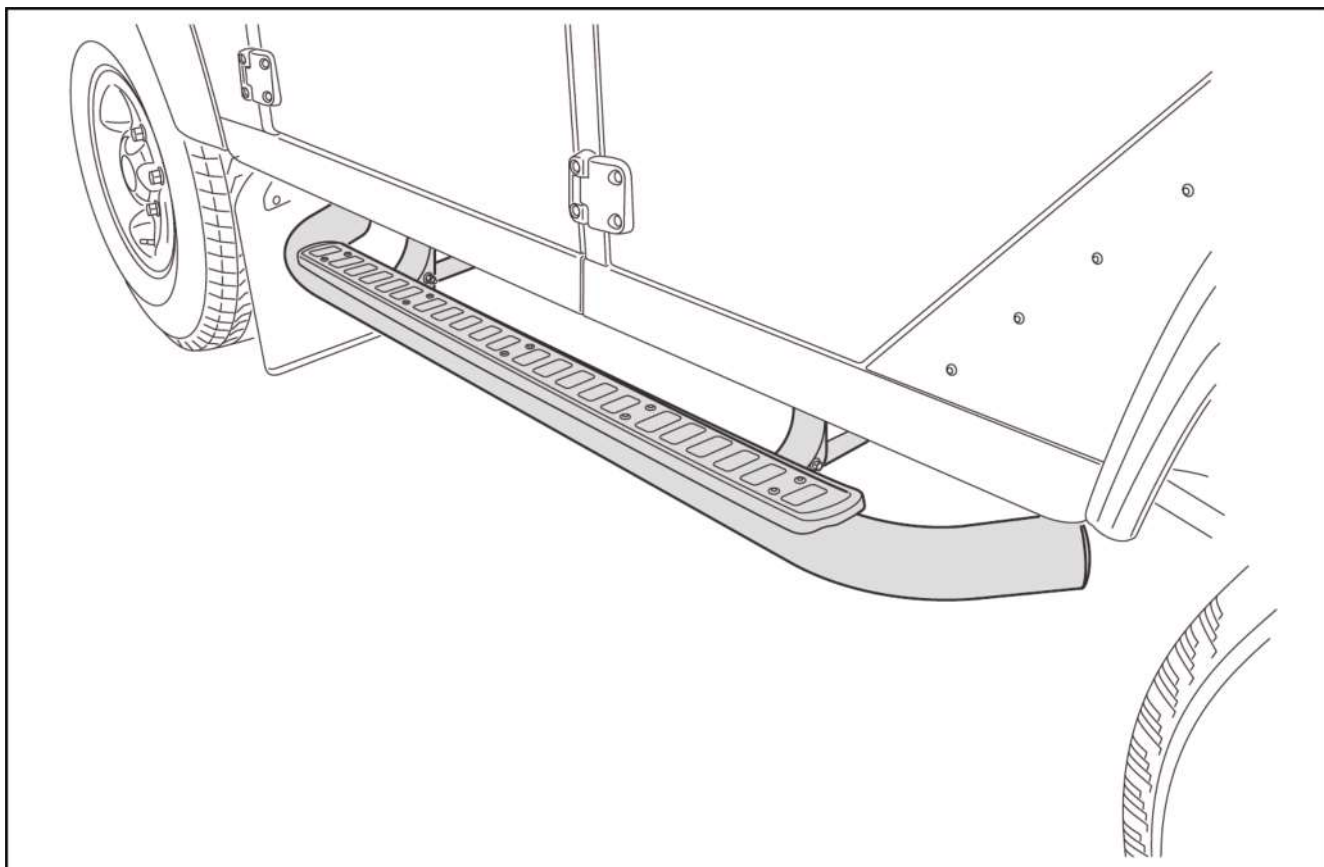
> Defender



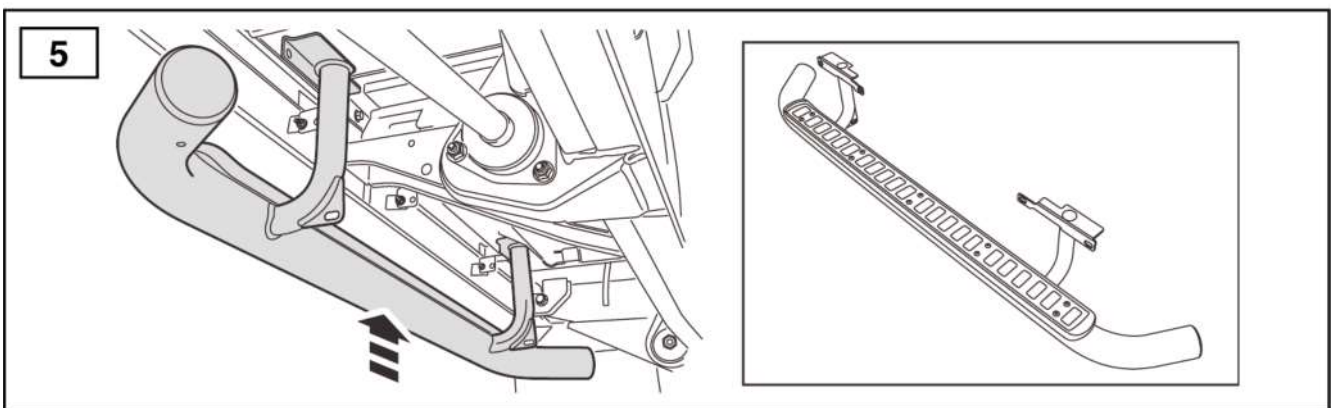
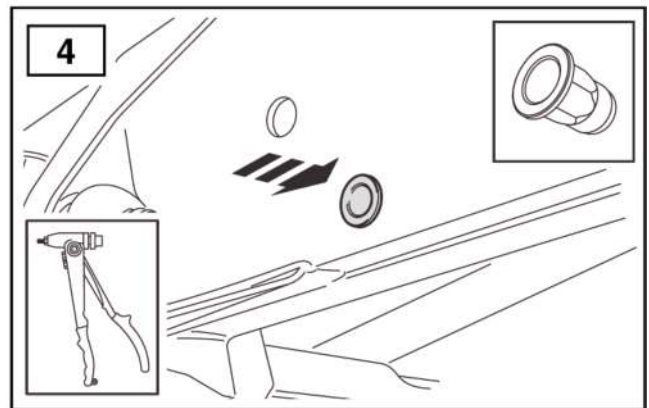
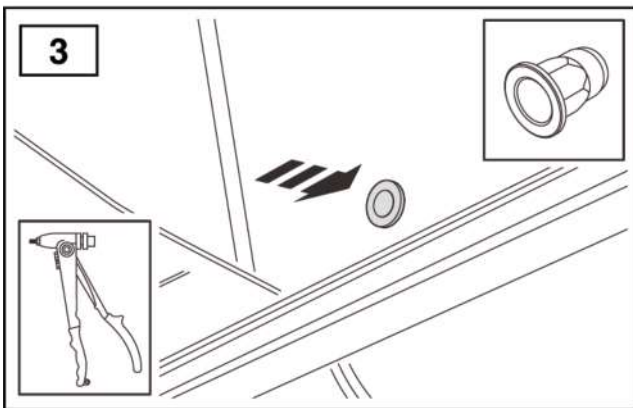
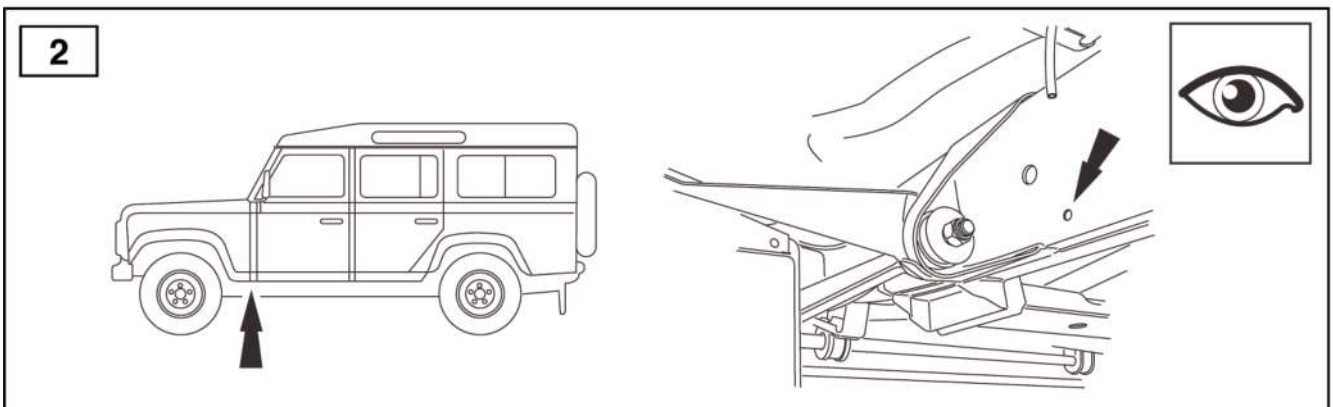
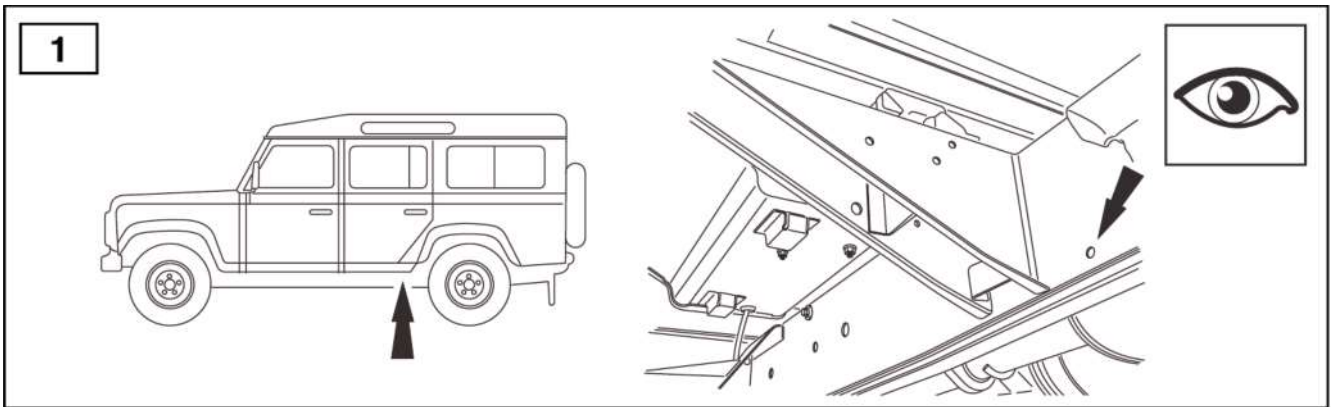
**Side Steps**

**BRITPART**

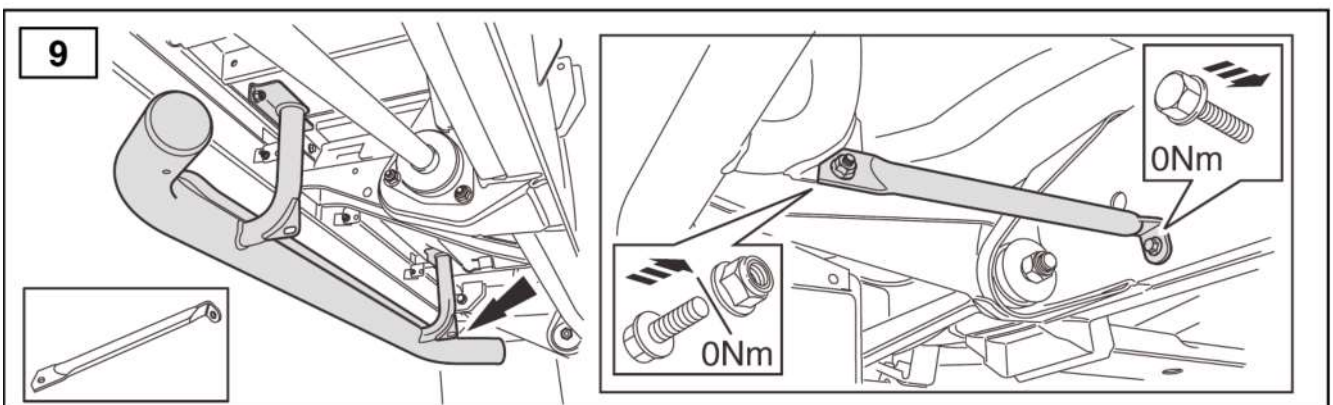
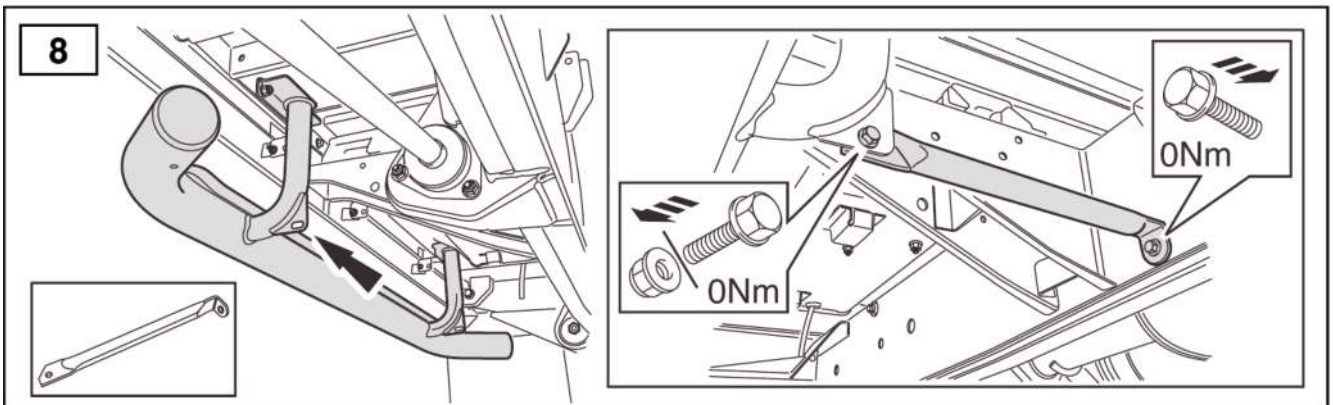
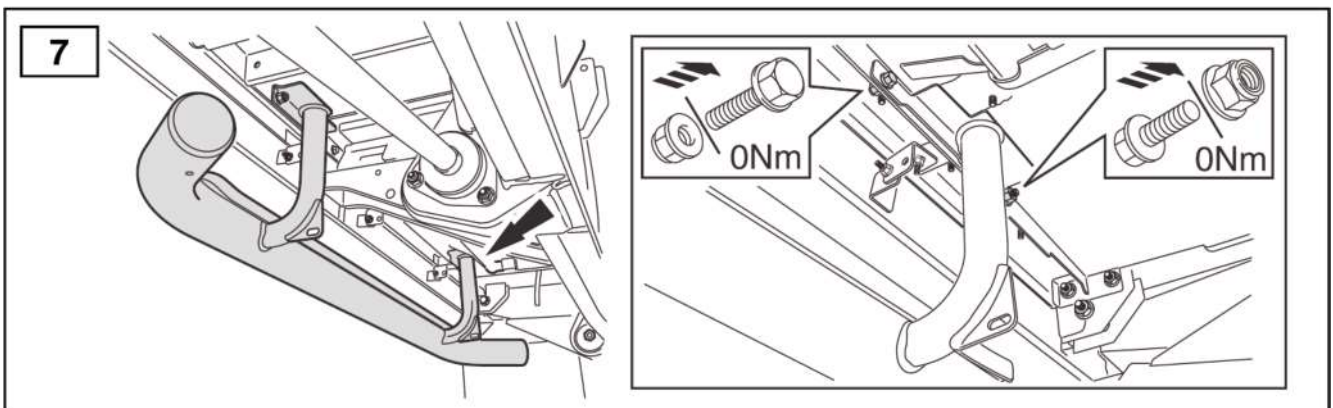
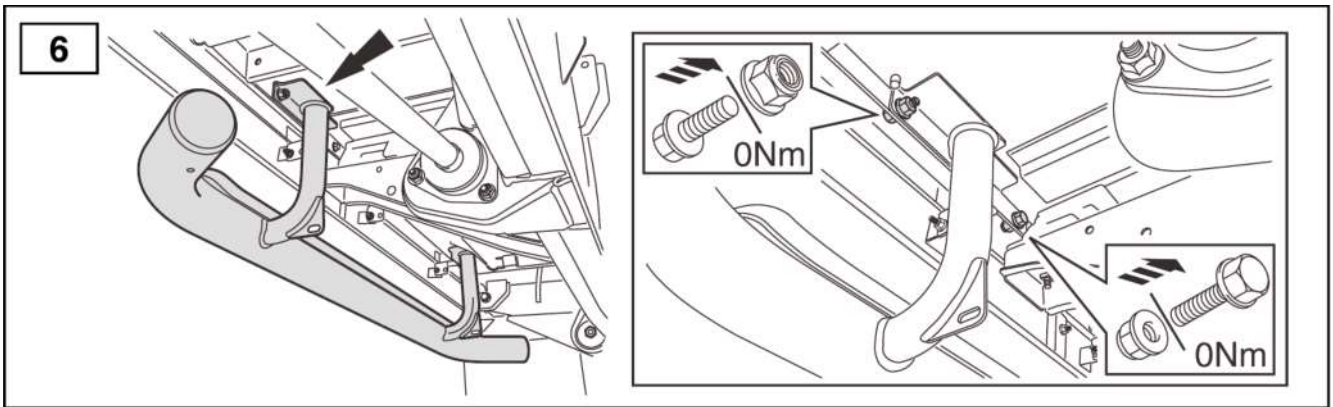
The quality parts for Land Rovers

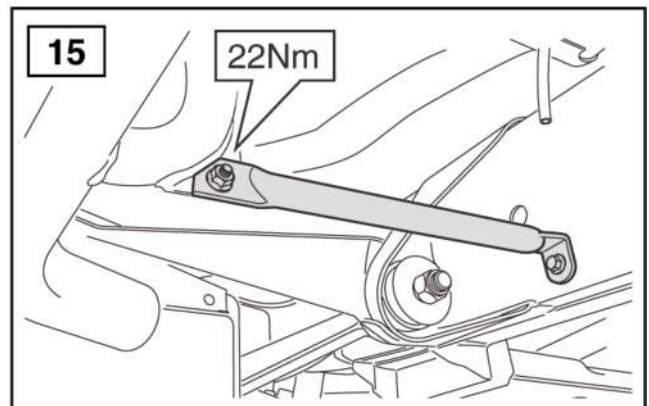
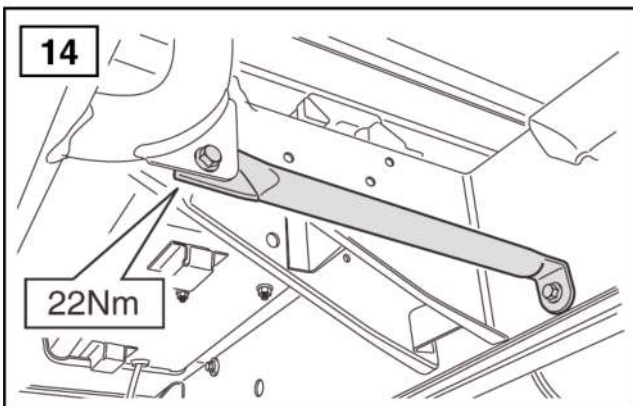
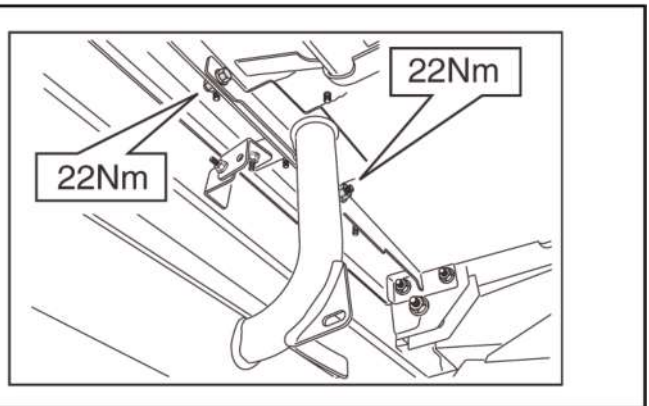
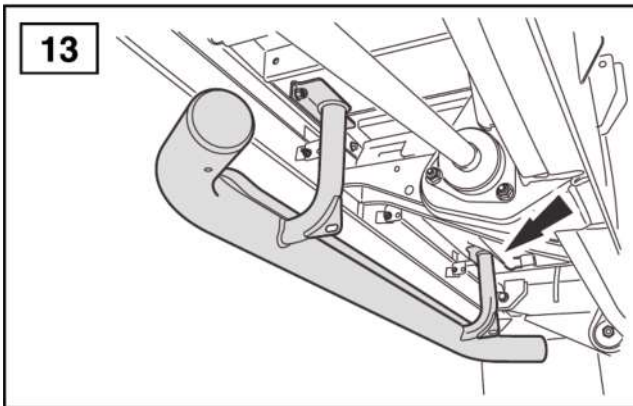
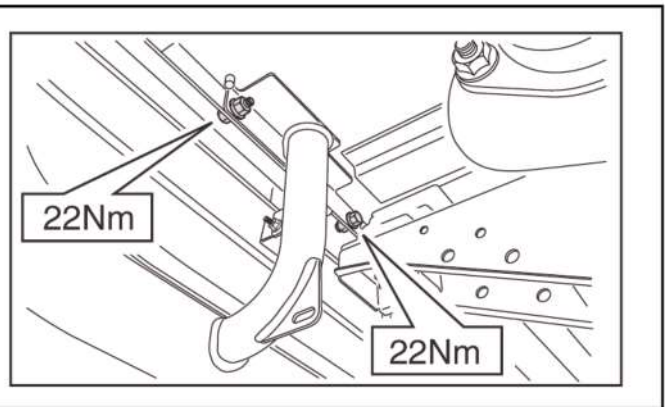
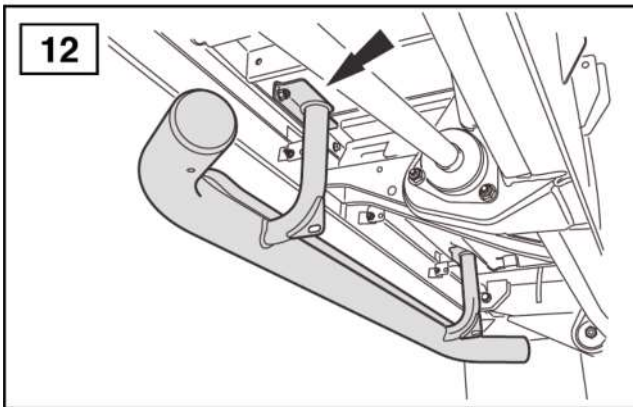
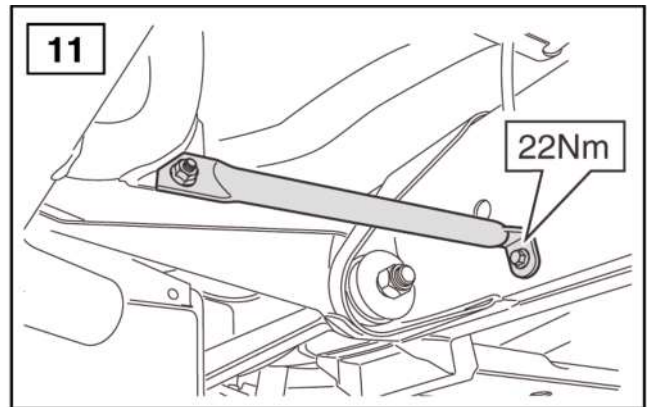
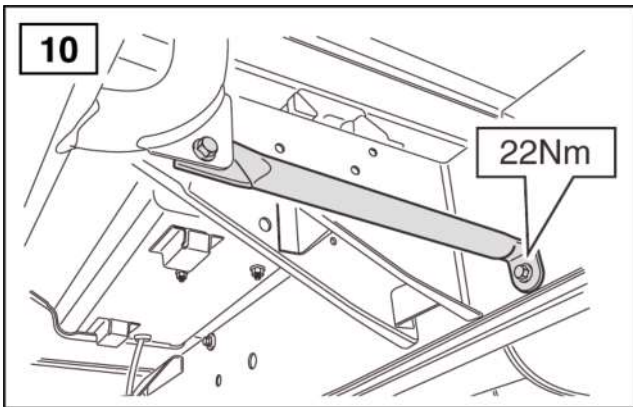


The following instructions are valid for both sides of the vehicle.









## **WARNING**

Accessories which are not properly fitted can be dangerous.

Read the instructions carefully prior to fitting.

Whilst fitting, comply with the instructions at all times.