

# FITTING INSTRUCTIONS

> Discovery 2



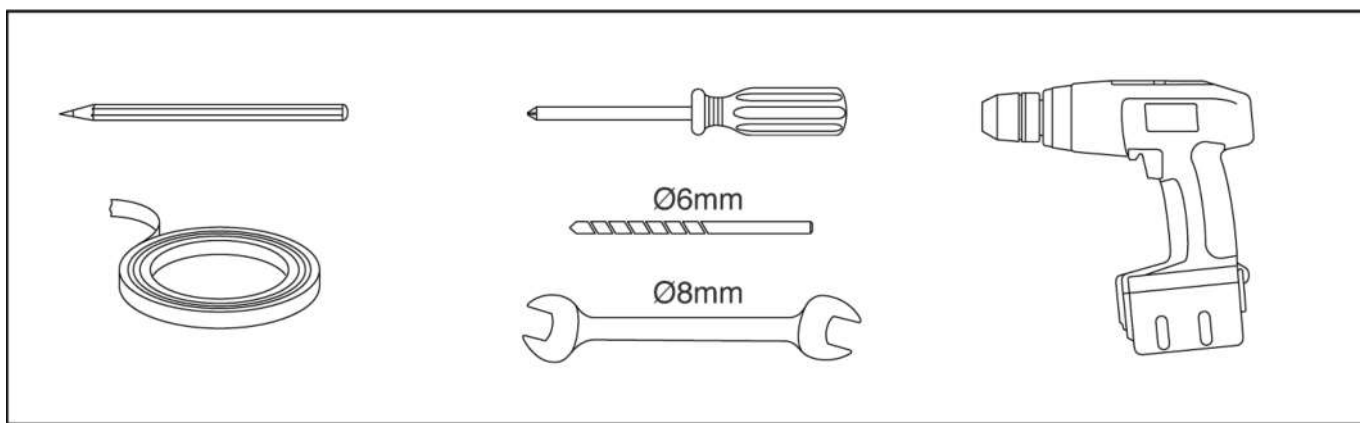
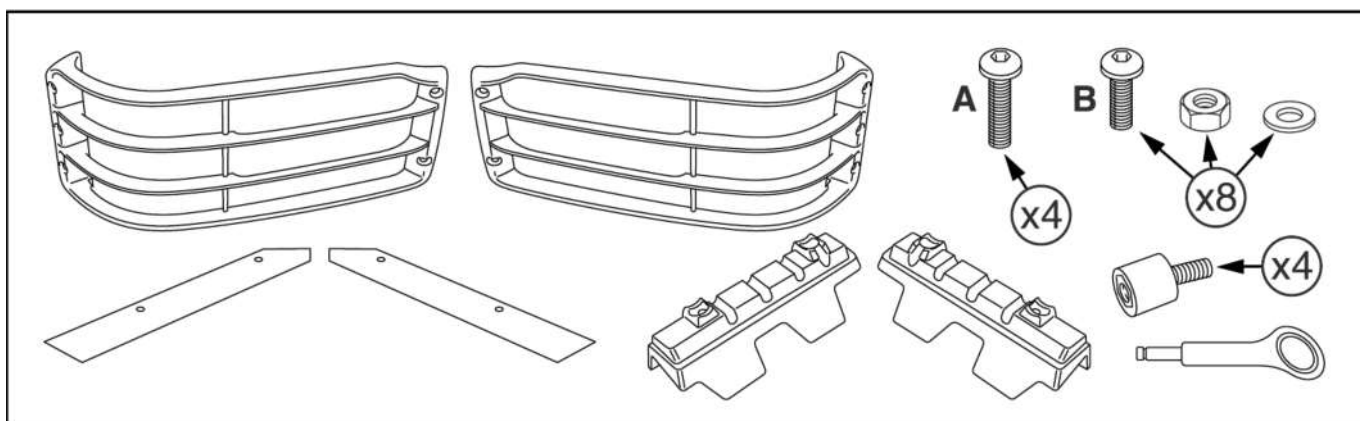
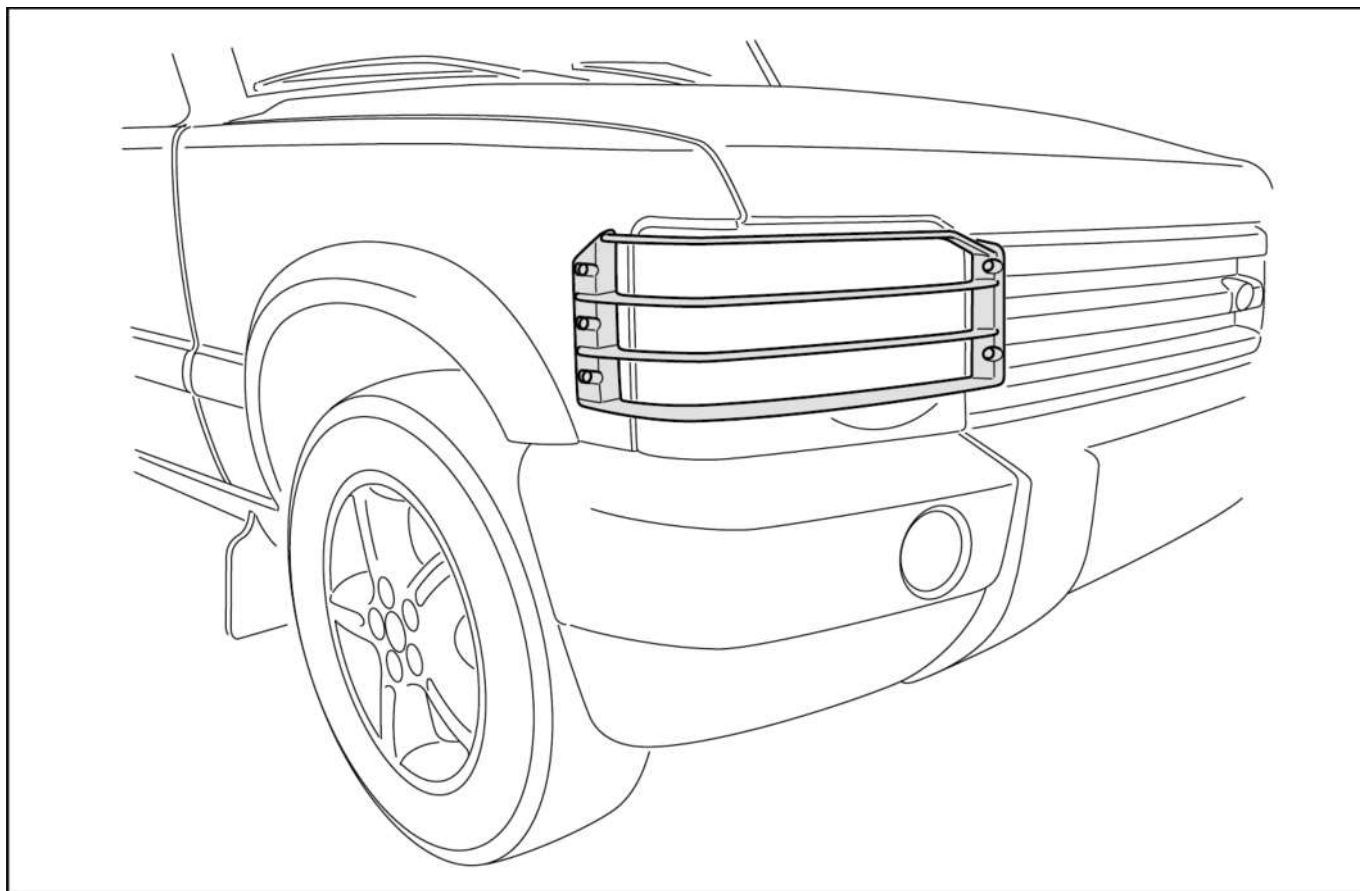
**Front Lamp Guards**

# **BRITPART**

The quality parts for Land Rovers

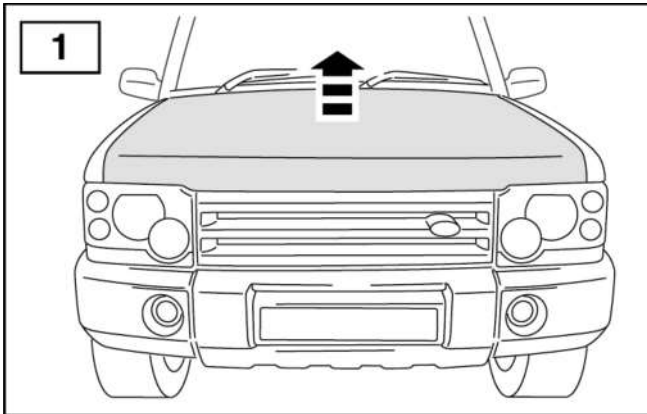
# Fitting Instructions

## Discovery 2 - Front Lamp Guards

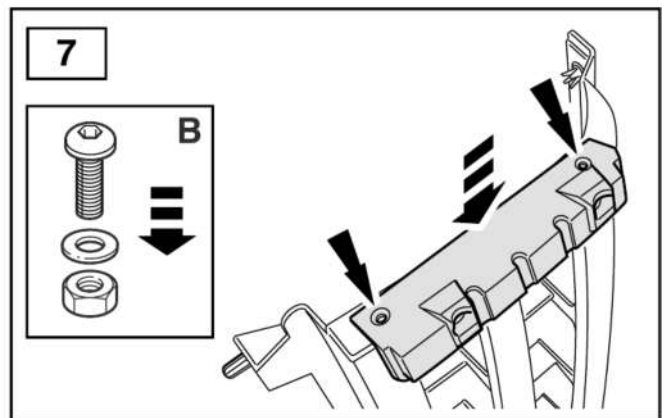
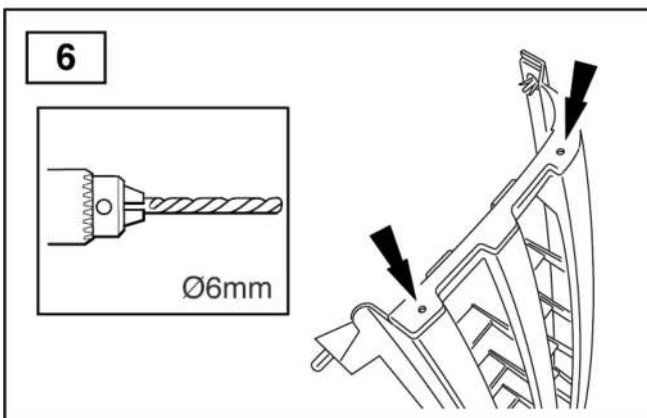
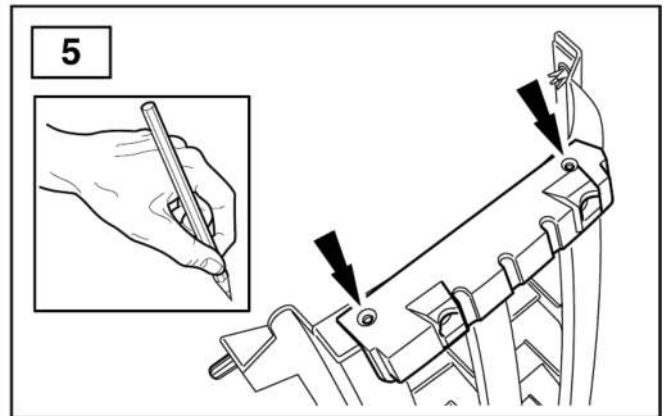
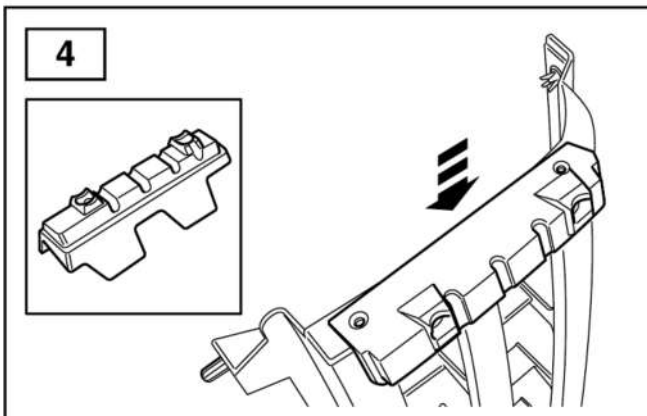
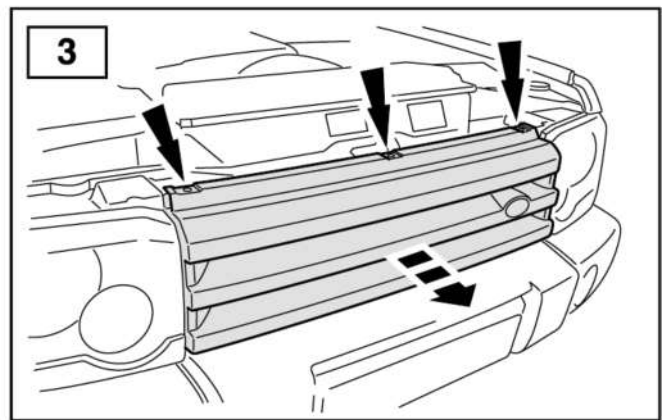
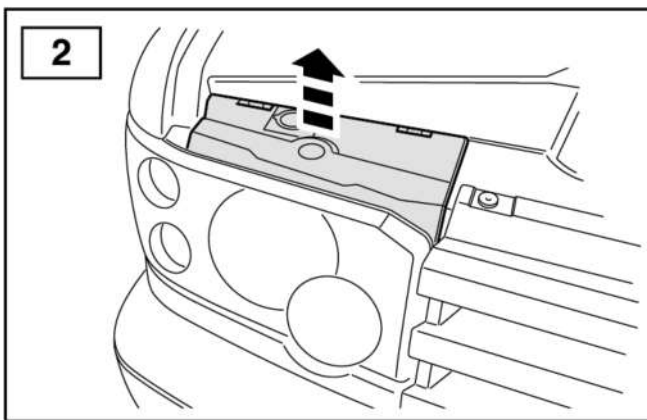


# Fitting Instructions

## Discovery 2 - Front Lamp Guards

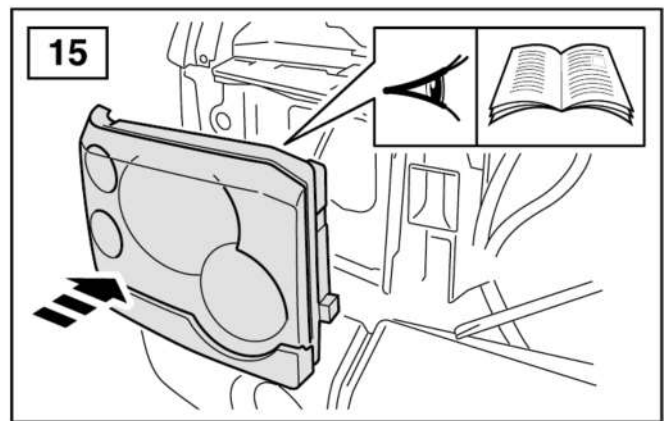
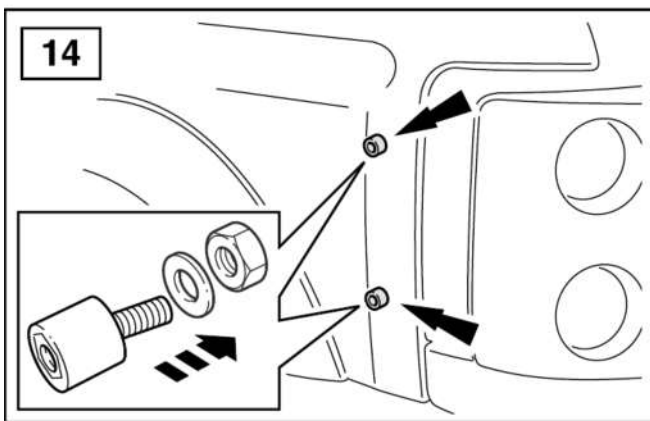
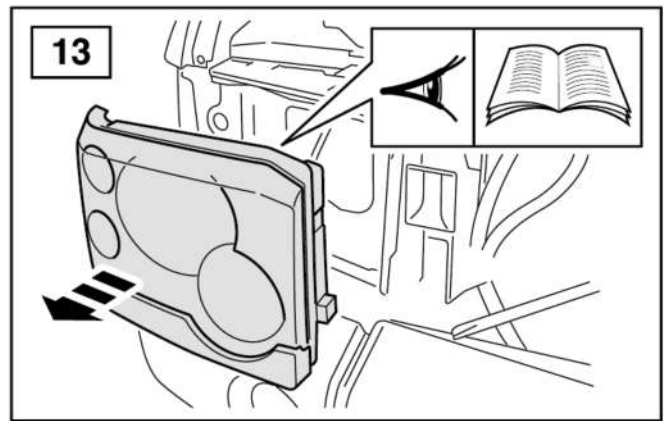
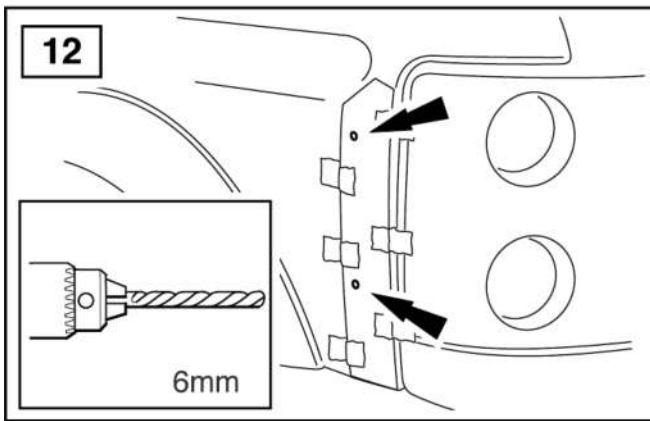
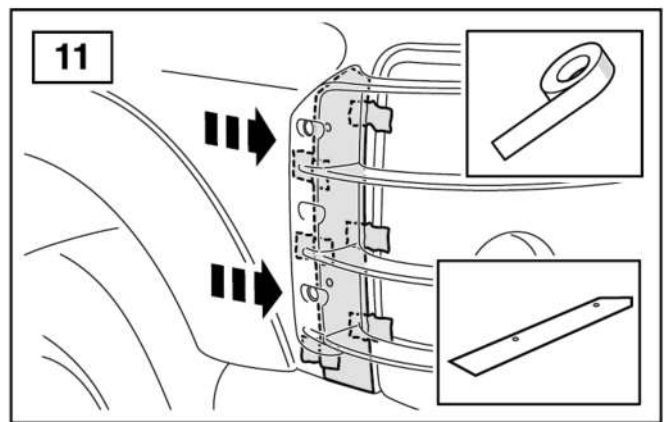
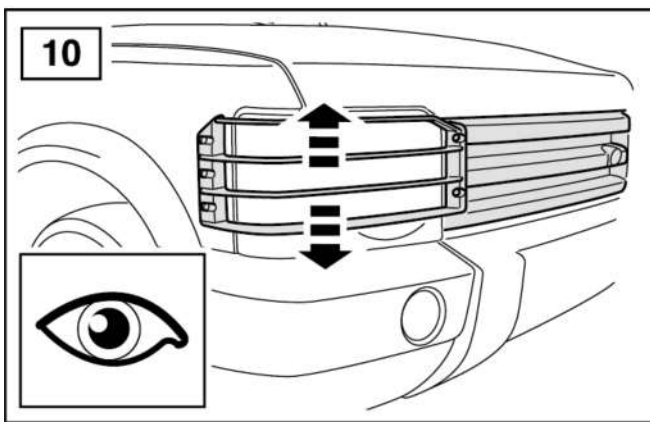
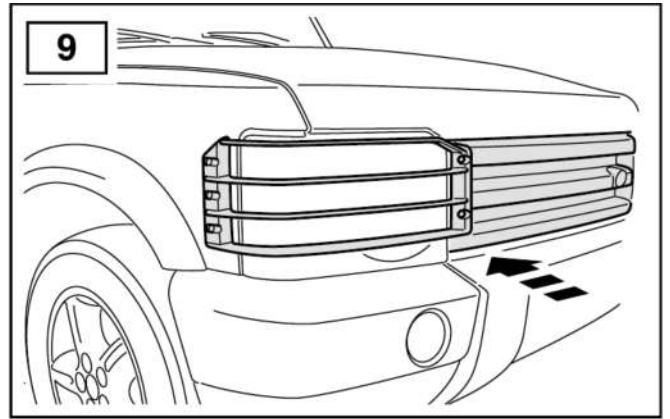
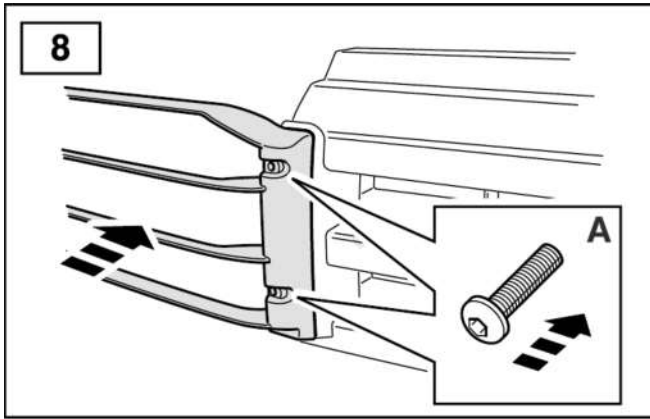


The following instructions are valid for both sides of the vehicle.



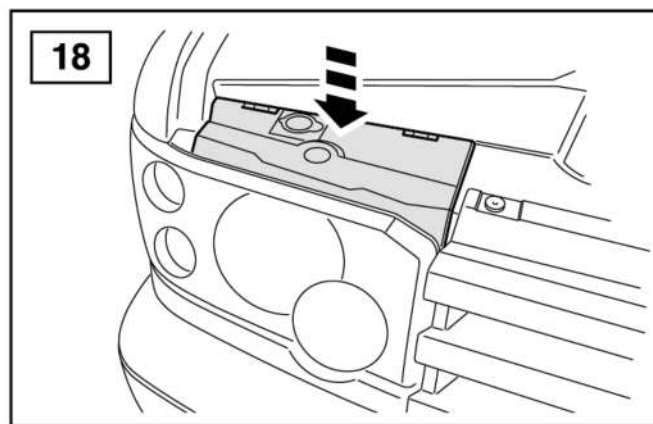
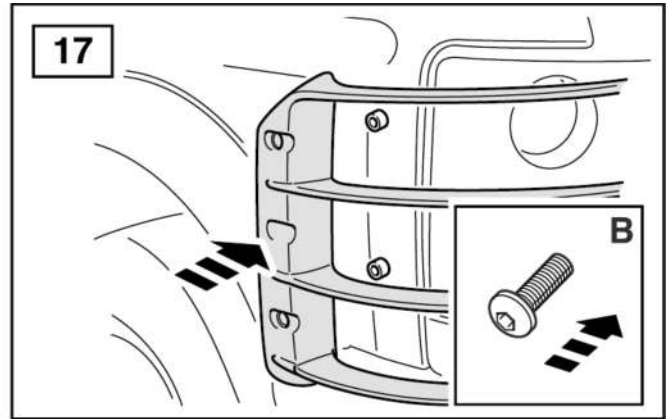
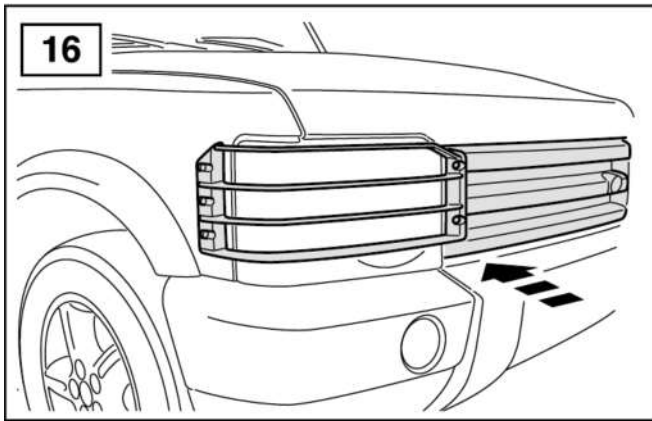
# Fitting Instructions

## Discovery 2 - Front Lamp Guards



# Fitting Instructions

## Discovery 2 - Front Lamp Guards



### **WARNING**

Accessories which are not properly fitted can be dangerous.

Read the instructions carefully prior to fitting.

Whilst fitting, comply with the instructions at all times.