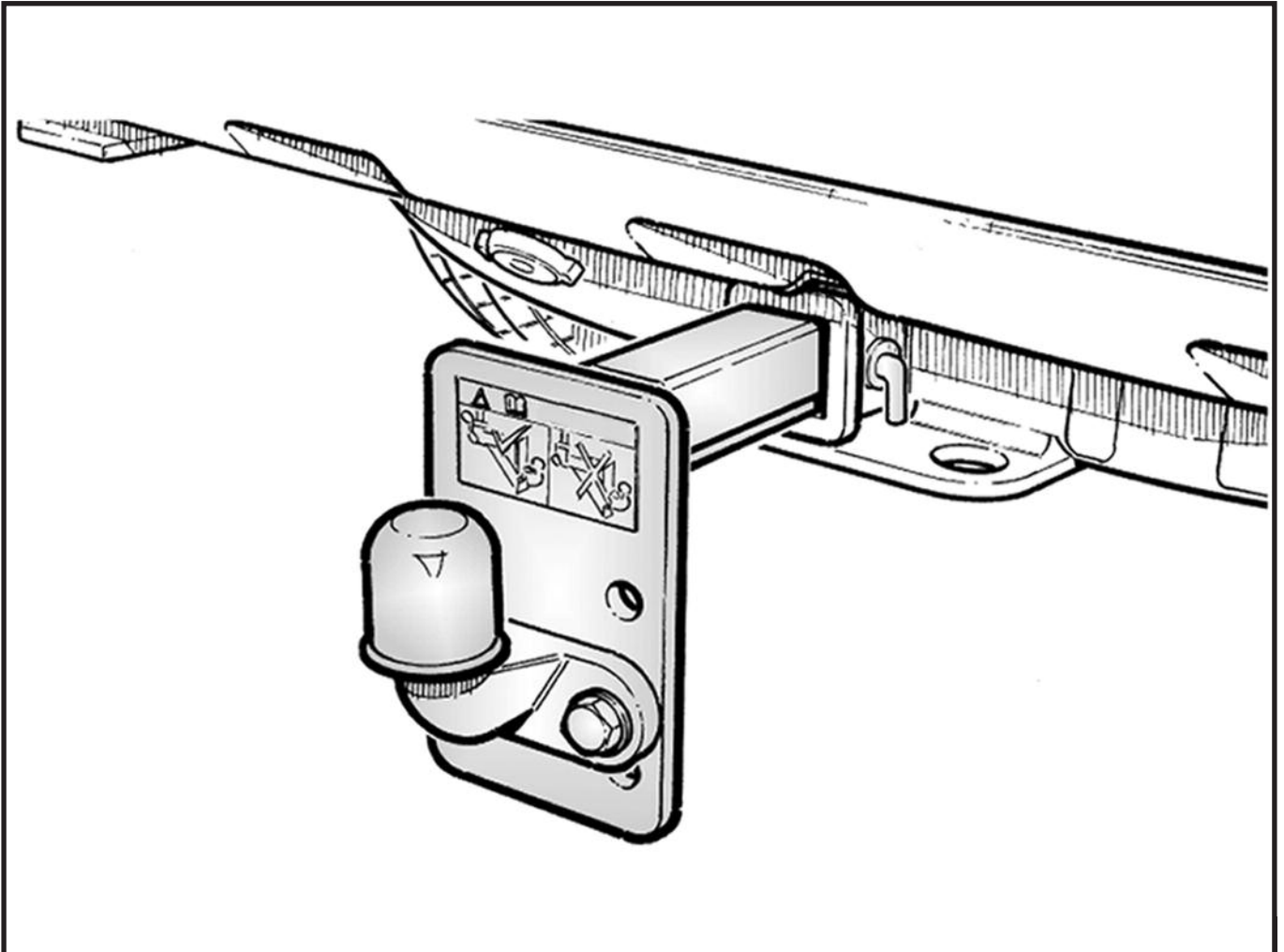


# FITTING INSTRUCTIONS

> Range Rover L322



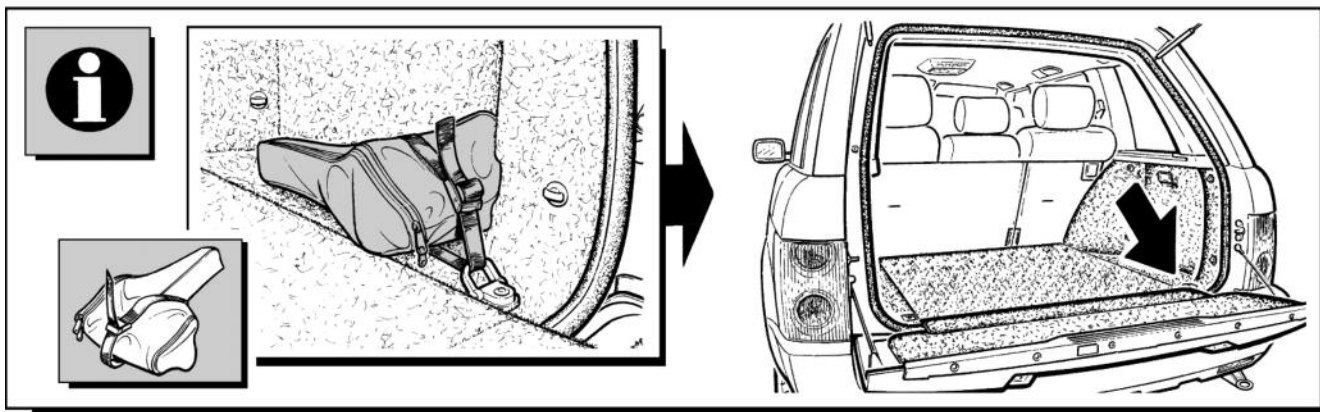
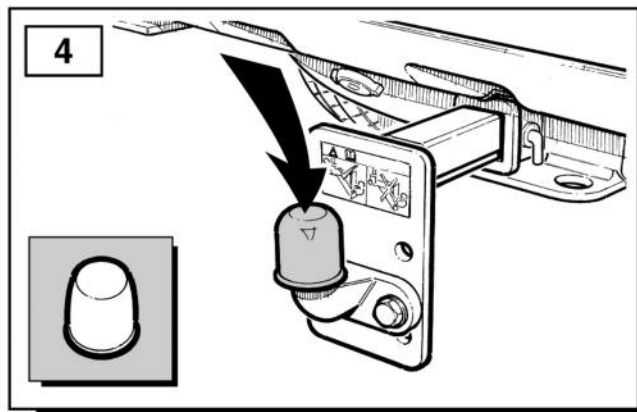
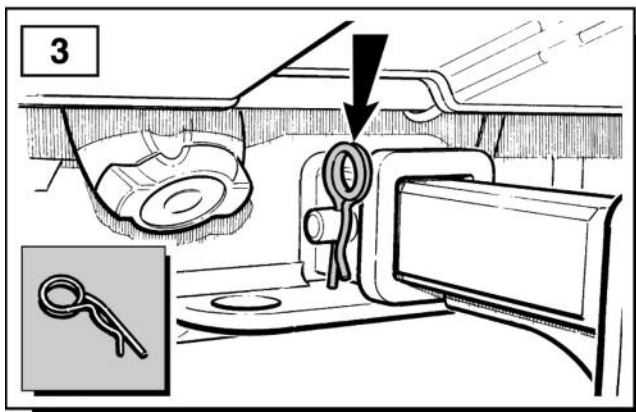
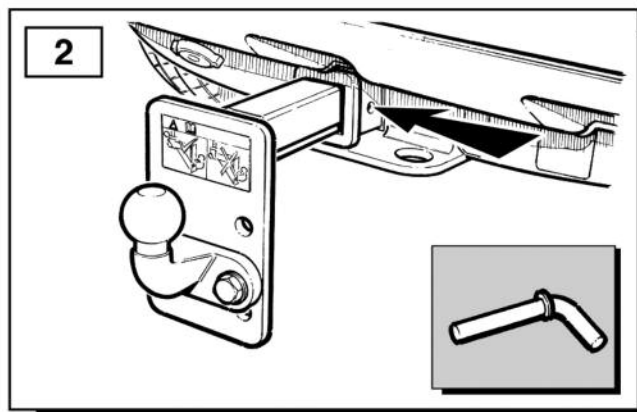
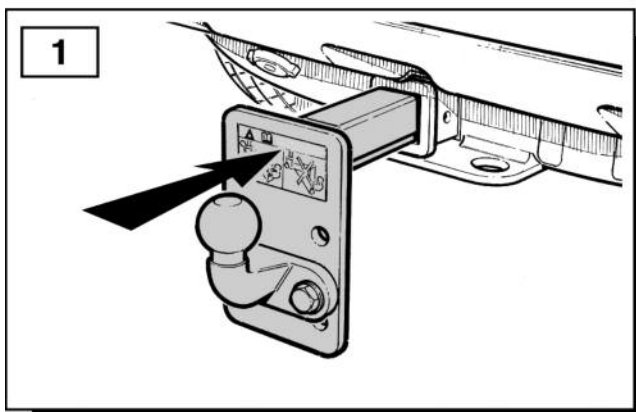
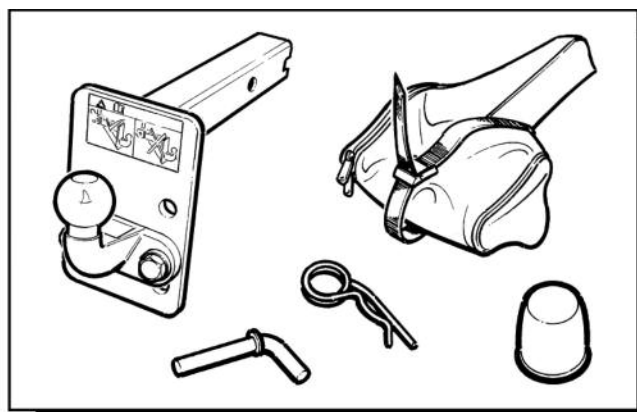
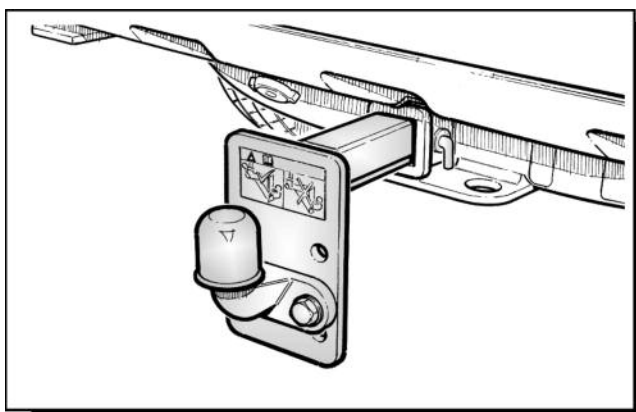
**Towbar Kit - Drop Plate**

# **BRITPART**

The quality parts for Land Rovers

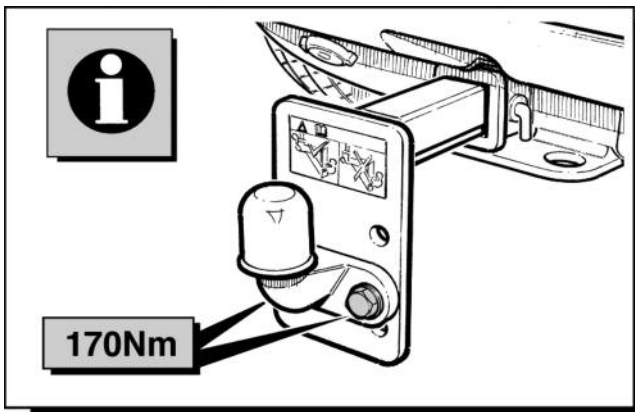
# Fitting Instructions

## Range Rover L322 - Towbar Kit - Drop Plate



# Fitting Instructions

## Range Rover L322 - Towbar Kit - Drop Plate



For operation refer to handbook.

### **TOWBAR - DROP PLATE - DATA**

Coupling class - A50-X

Approval number - 2755-00

D-Value - 17.0kN

S-Value - 150kg

Max Trailer Weight - 3500kg

(NOTE Refer to handbook for gross trainweight.)

## **WARNING**

Accessories which are not properly fitted can be dangerous.  
Read the instructions carefully prior to fitting.

Whilst fitting, comply with the instructions at all times.

BLANK  
PAGE