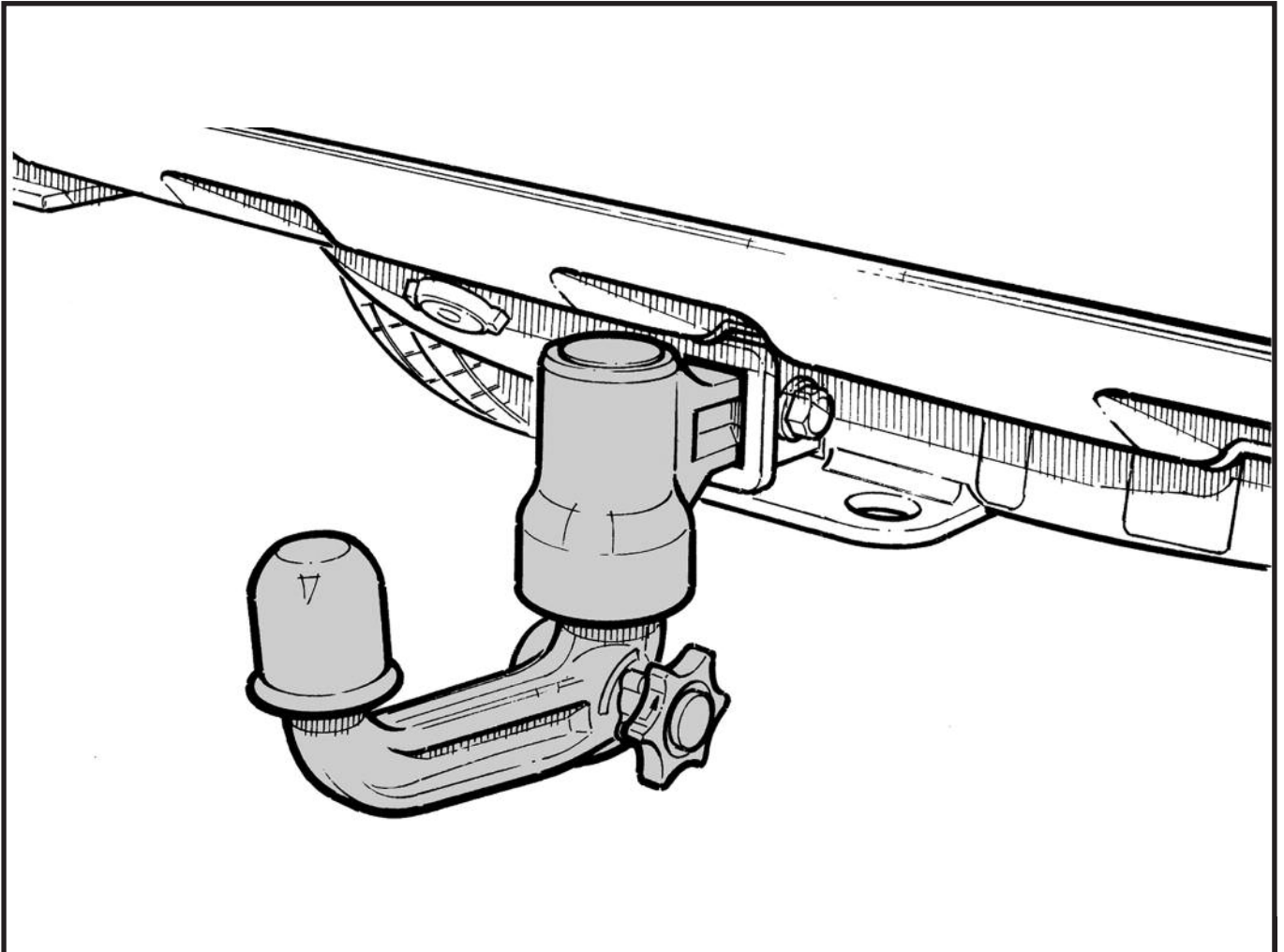


FITTING INSTRUCTIONS

> Range Rover L322



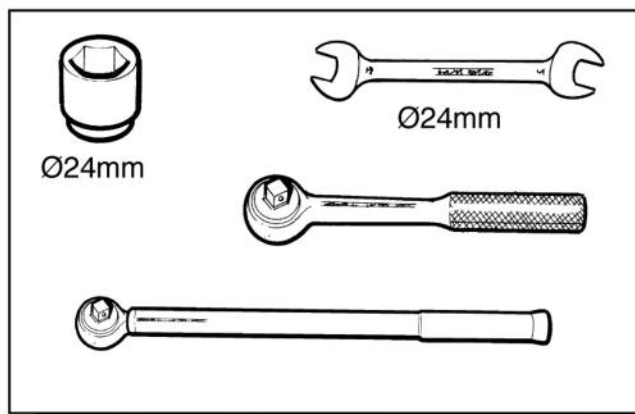
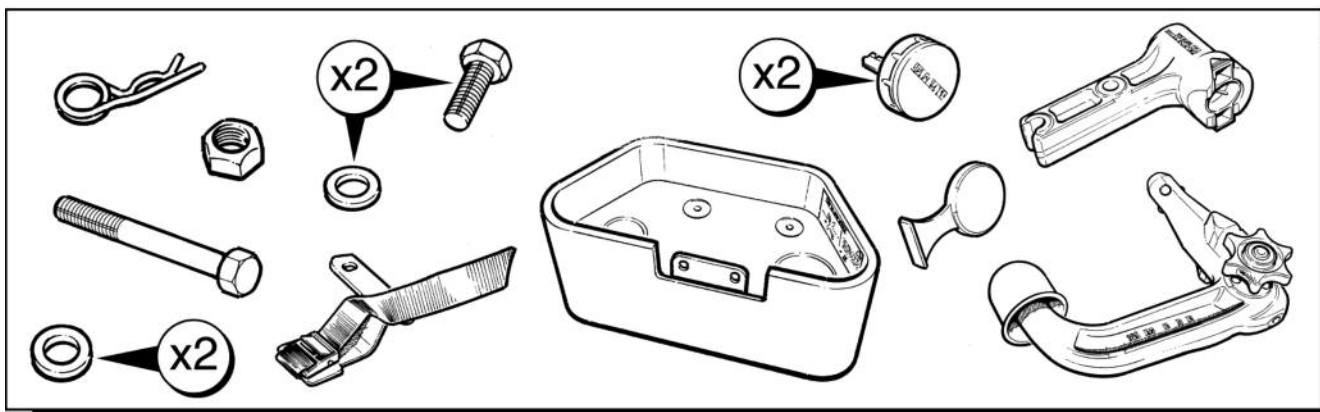
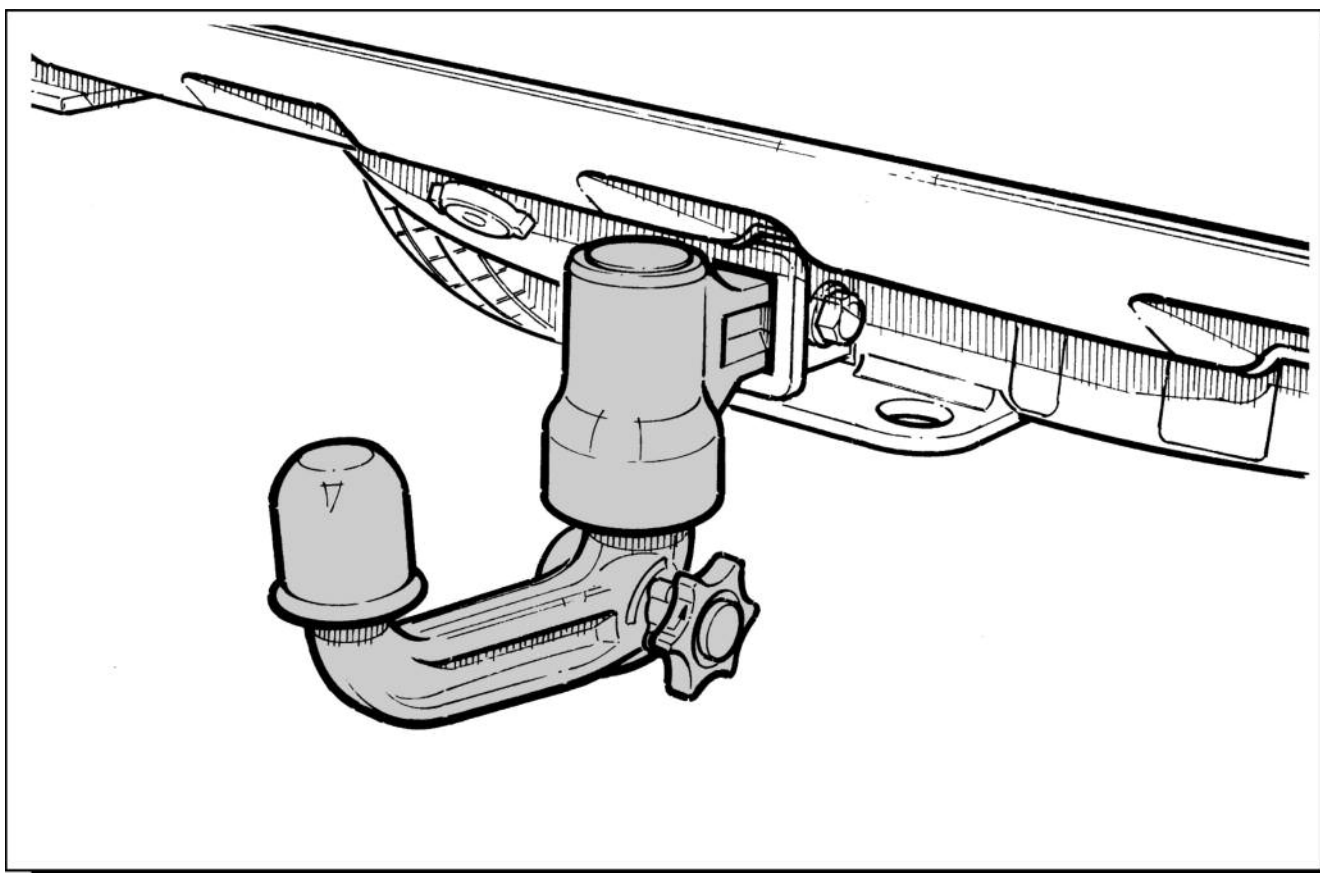
Towbar Kit - Detachable

BRITPART

The quality parts for Land Rovers

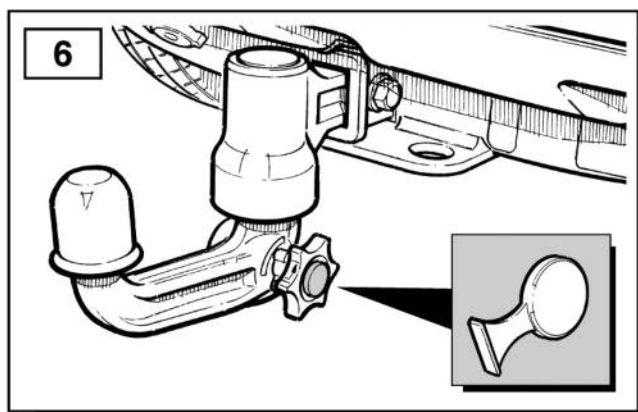
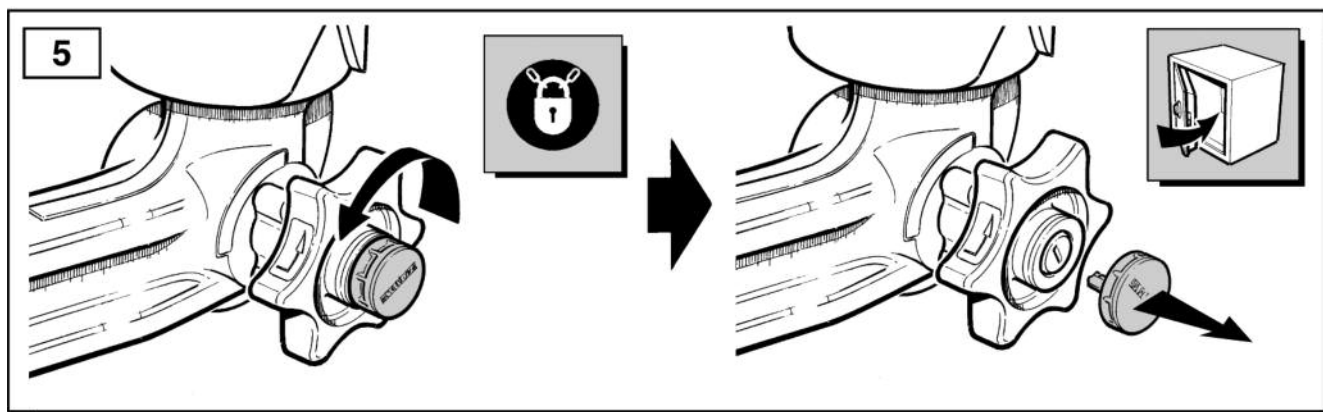
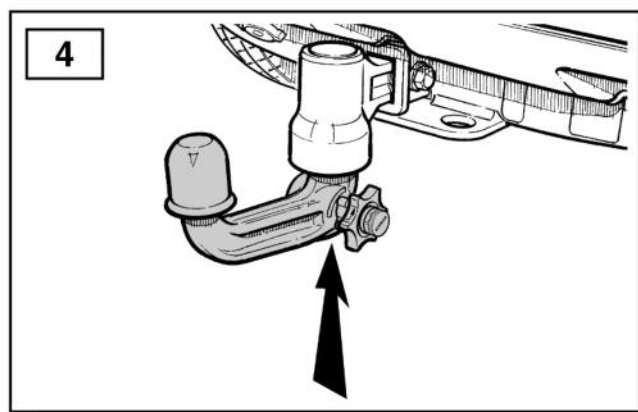
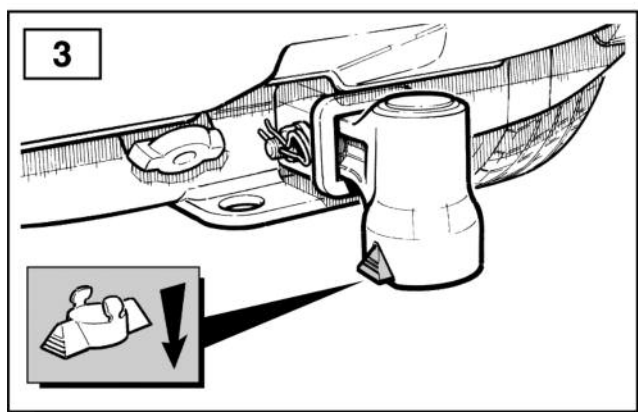
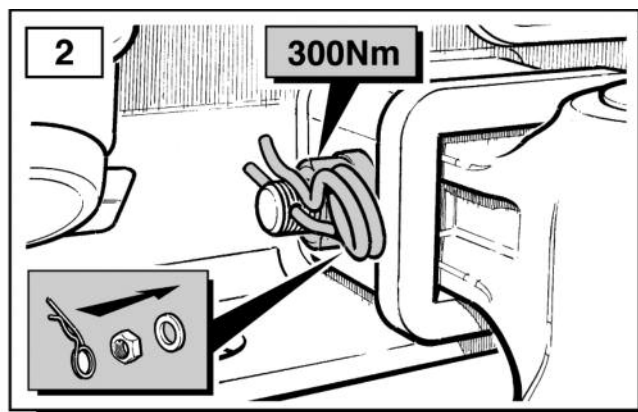
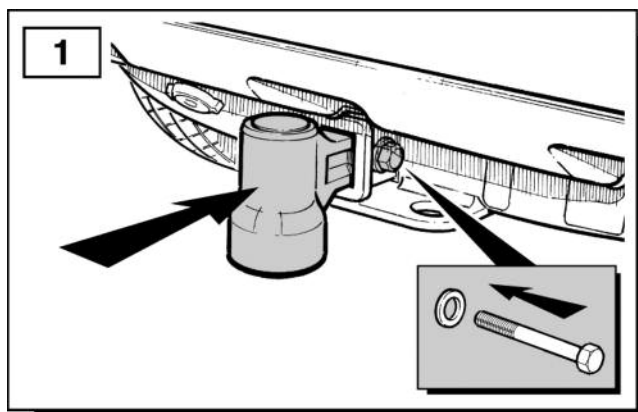
Fitting Instructions

Range Rover L322 - Towbar Kit - Detachable



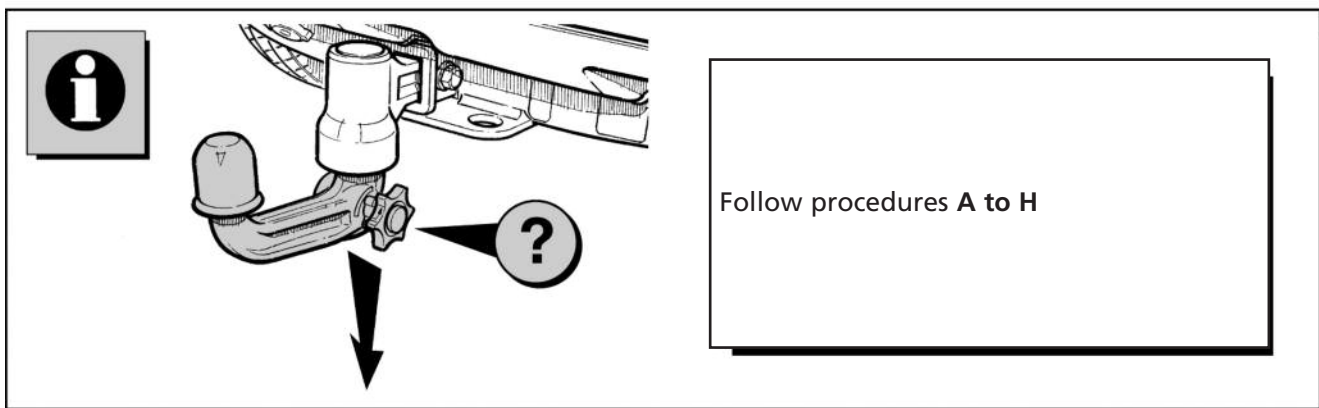
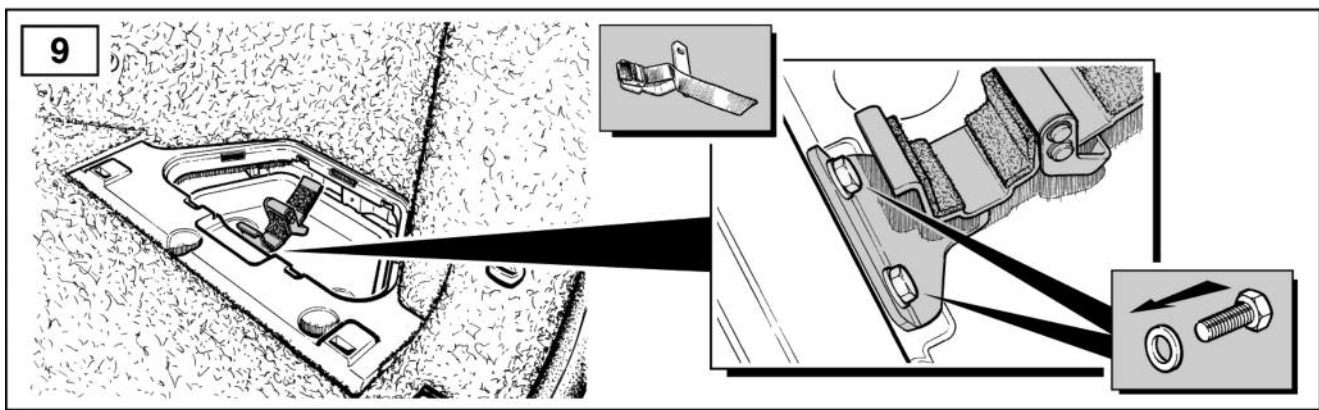
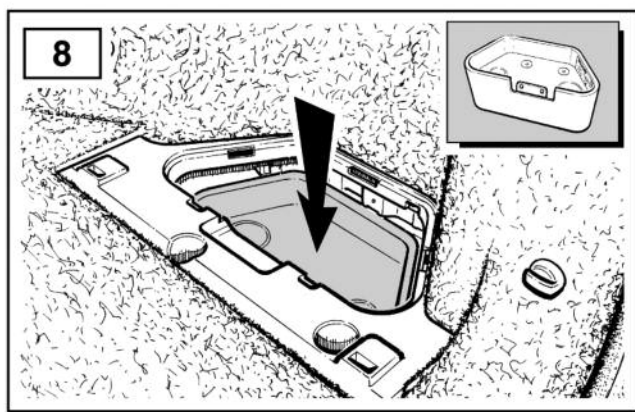
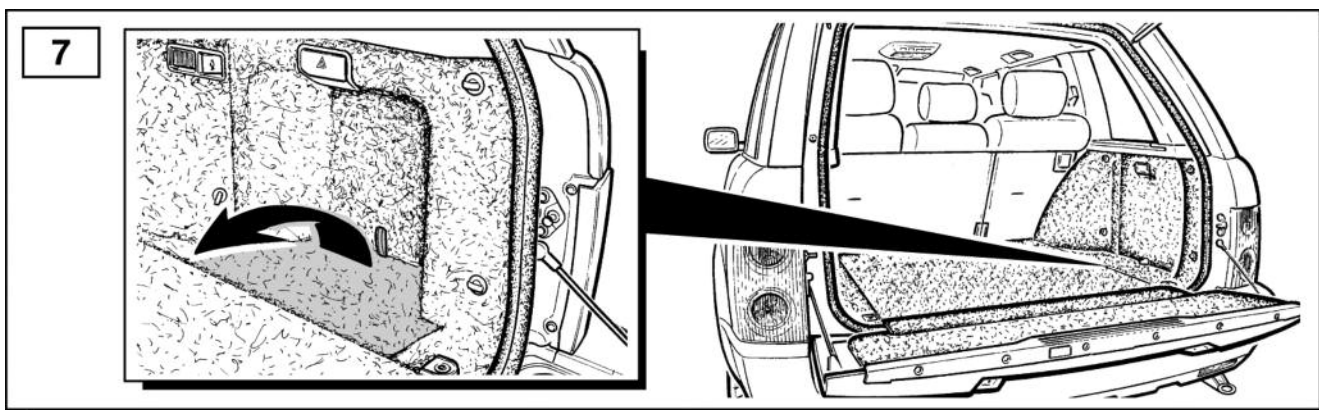
Fitting Instructions

Range Rover L322 - Towbar Kit - Detachable



Fitting Instructions

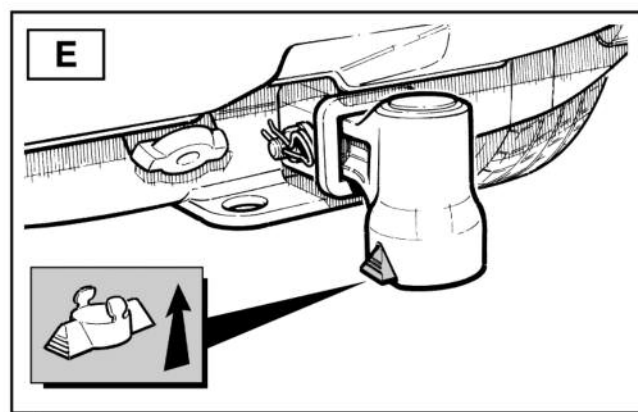
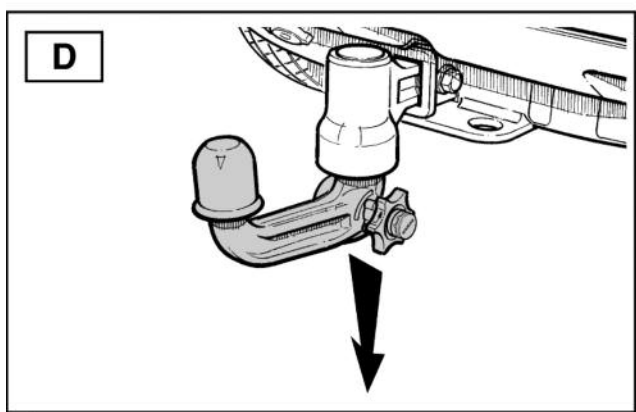
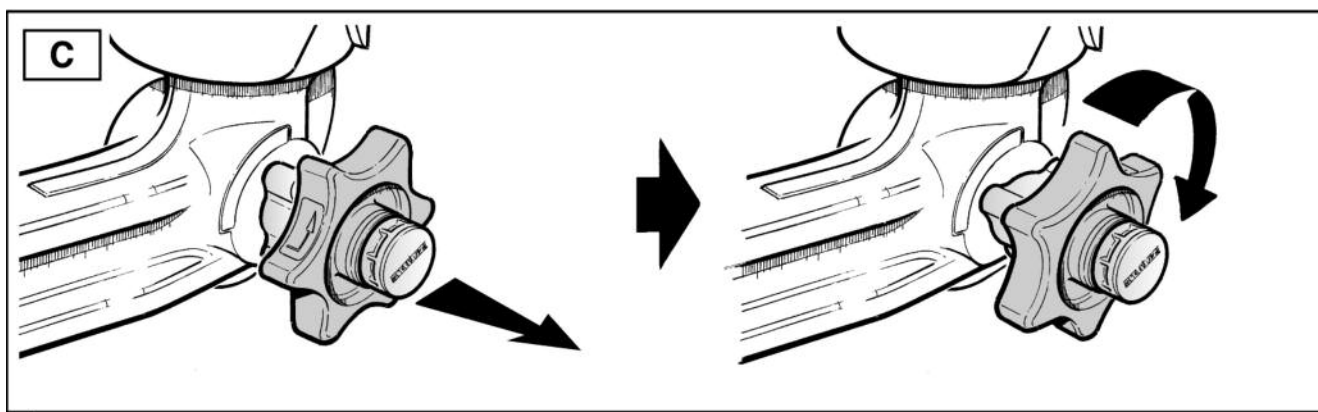
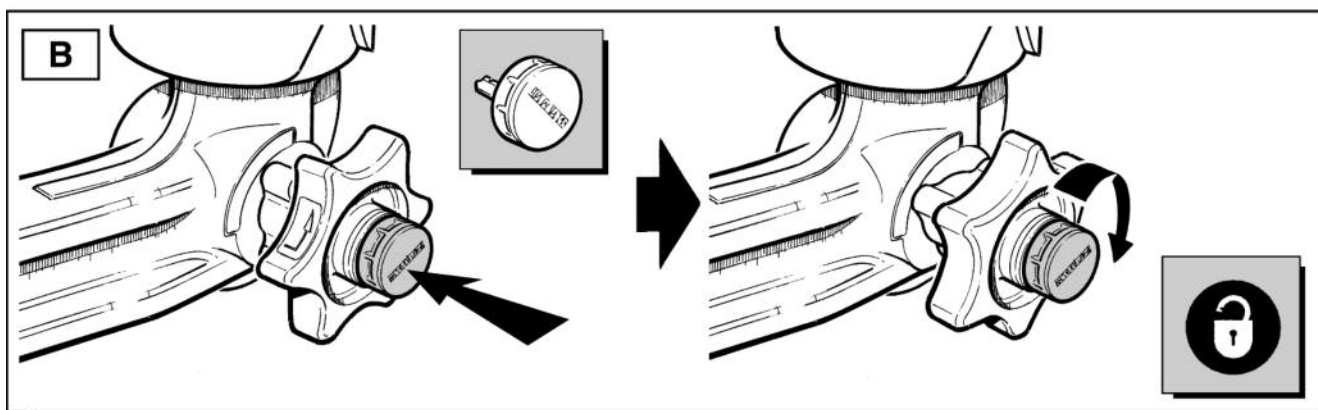
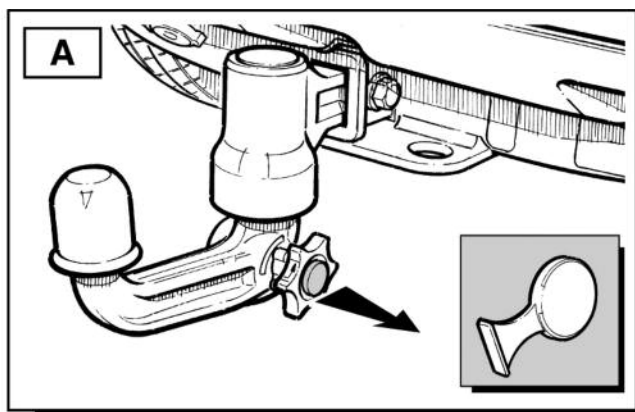
Range Rover L322 - Towbar Kit - Detachable



Follow procedures A to H

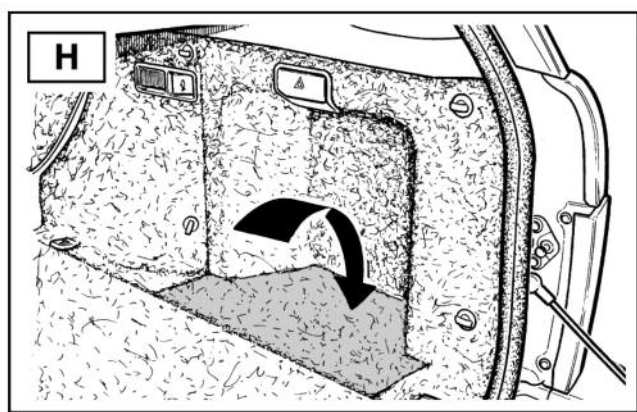
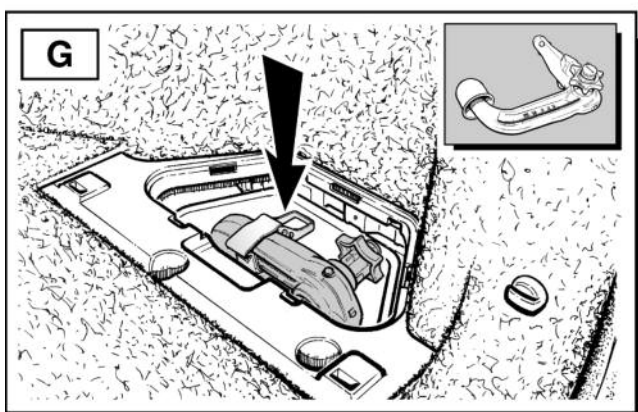
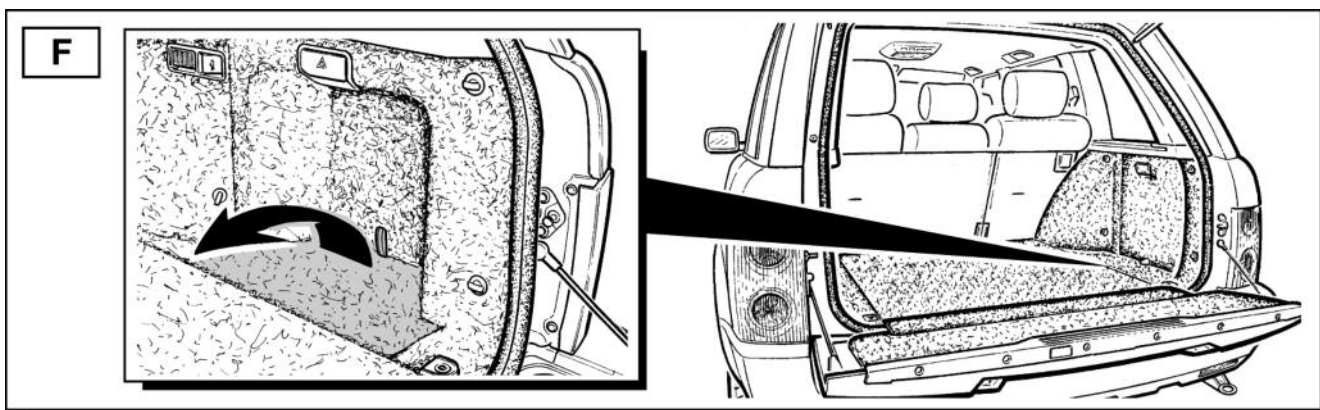
Fitting Instructions

Range Rover L322 - Towbar Kit - Detachable



Fitting Instructions

Range Rover L322 - Towbar Kit - Detachable



For operation refer to handbook.

TOWBAR - DETACHABLE - DATA

Coupling class - A50-X

Approval number - 0887-00

D-Value - 16.4kN

S-Value - 150kg

Max Trailer Weight - 3500kg

(NOTE Refer to handbook for gross trainweight.)

WARNING

Accessories which are not properly fitted can be dangerous. Read the instructions carefully prior to fitting. Whilst fitting, comply with the instructions at all times.