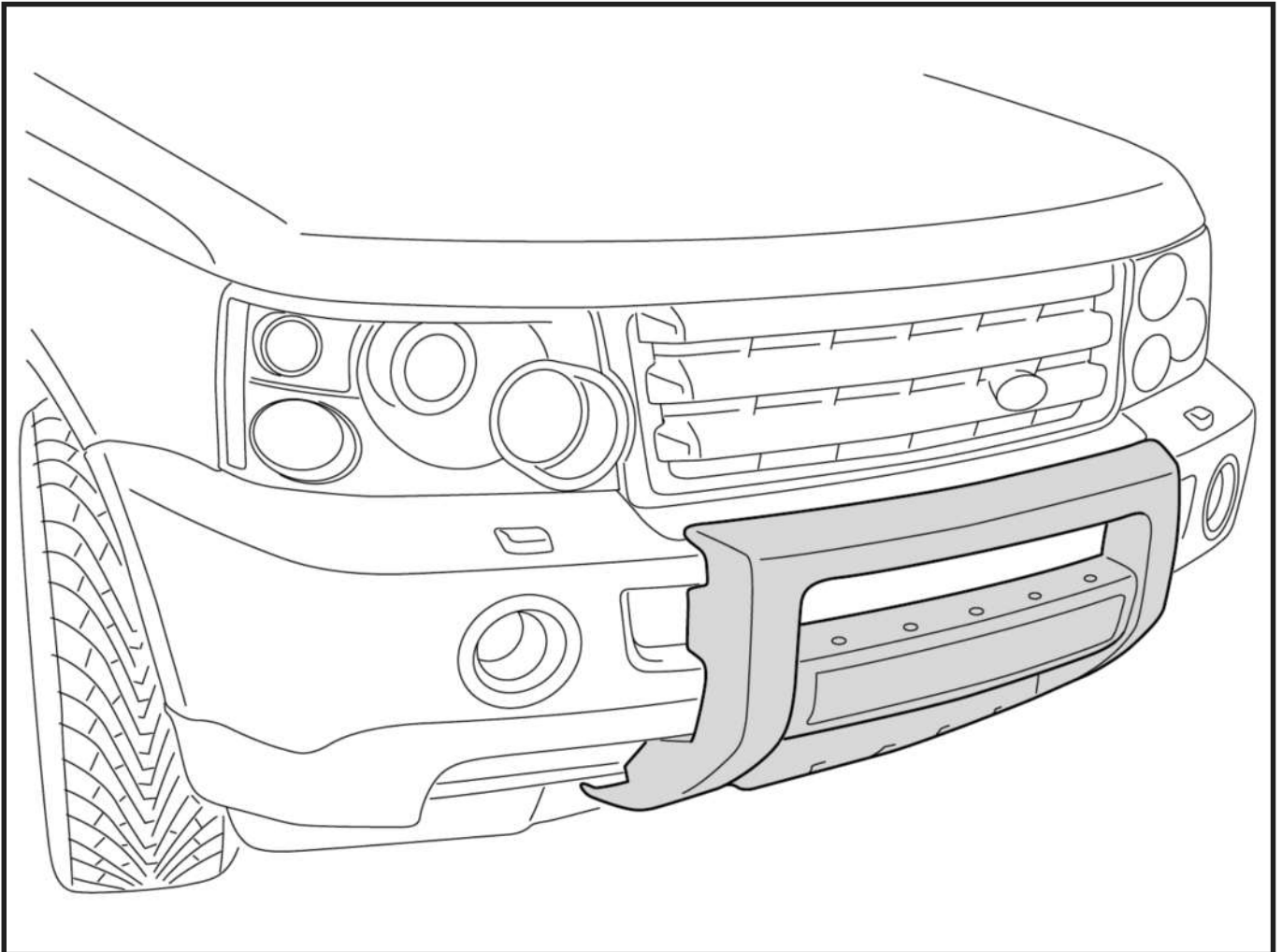


# FITTING INSTRUCTIONS

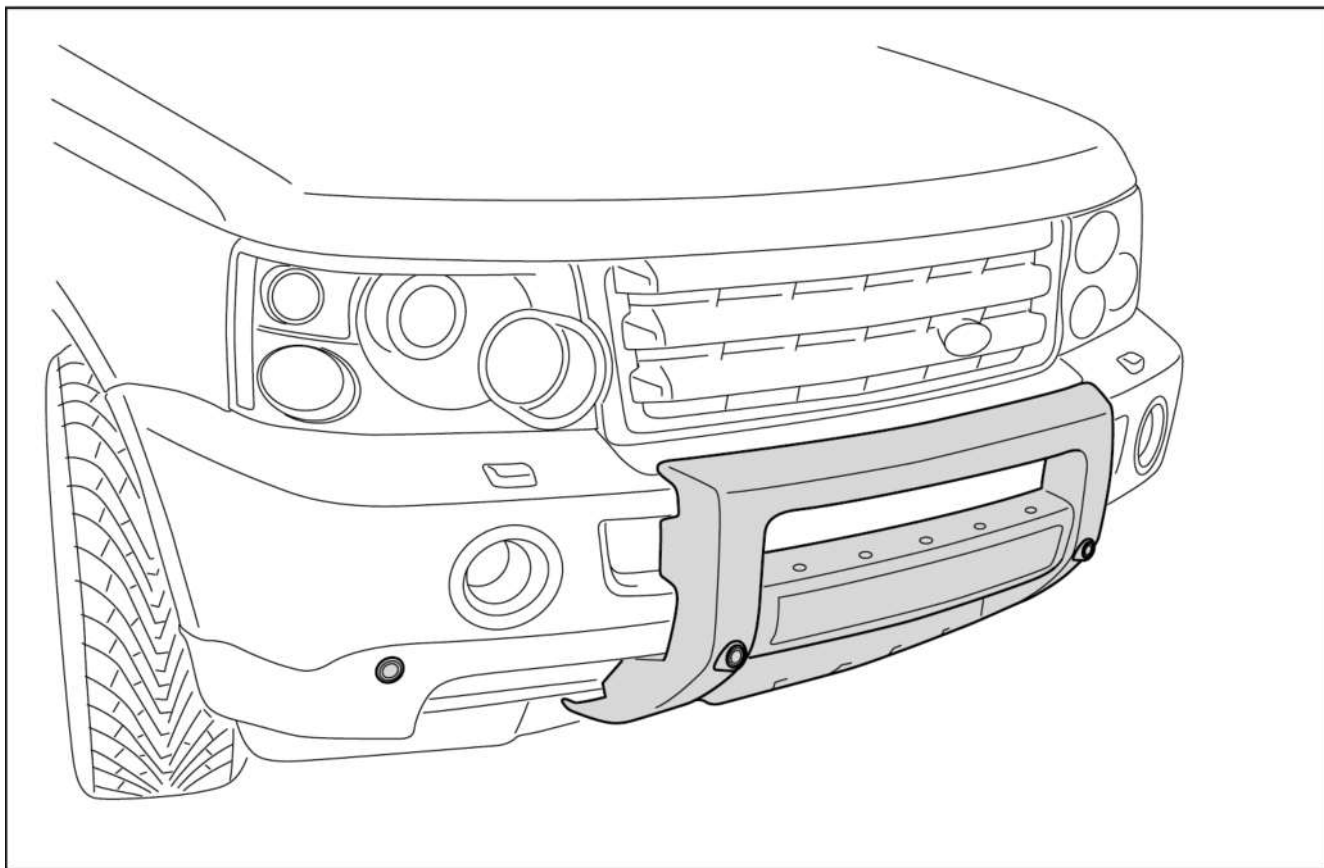
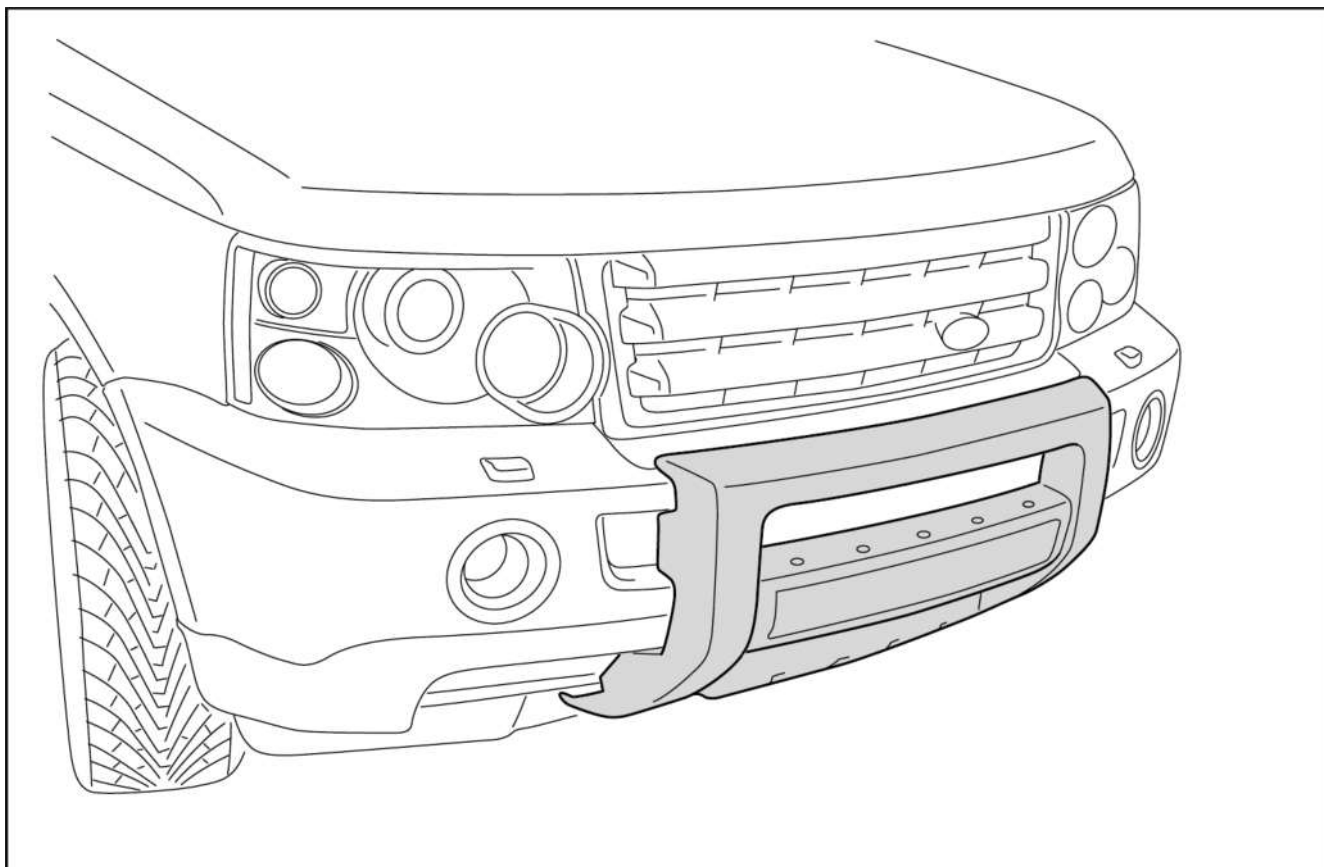
> Range Rover Sport



**A Bar**

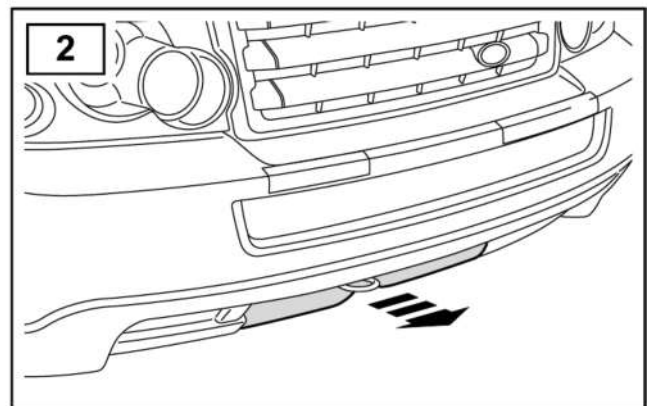
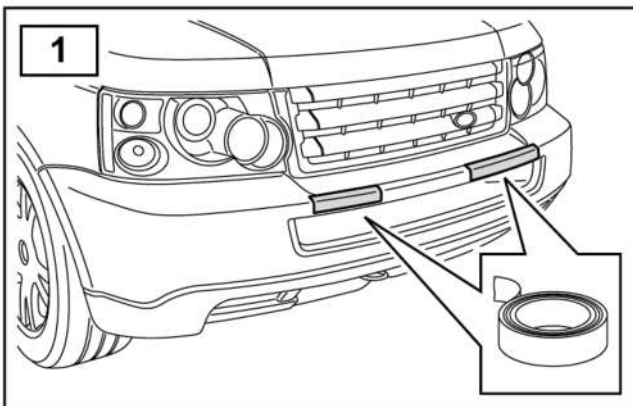
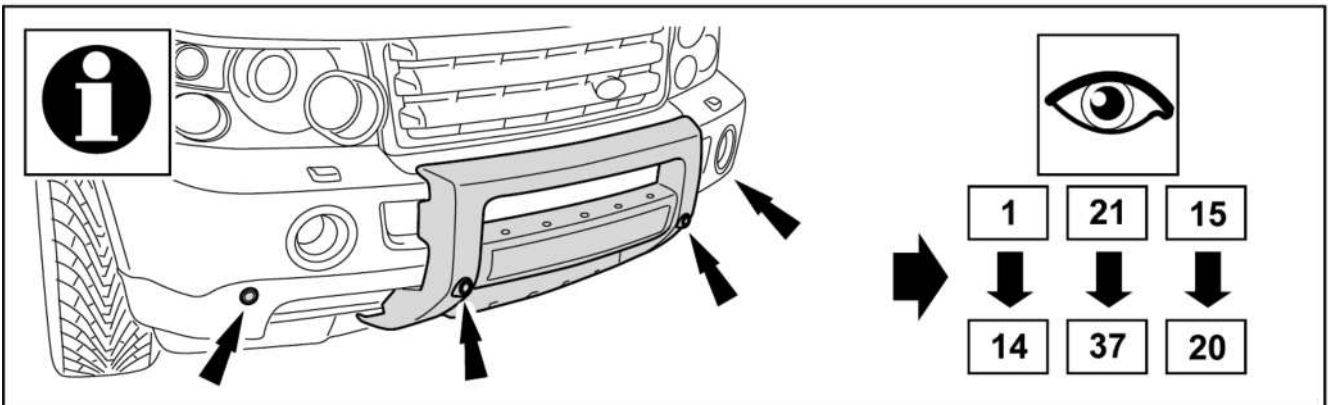
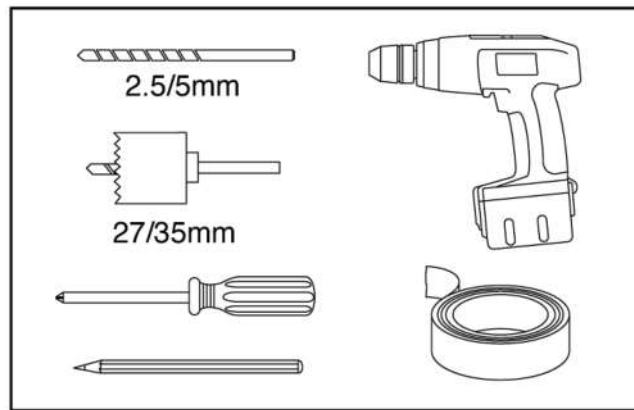
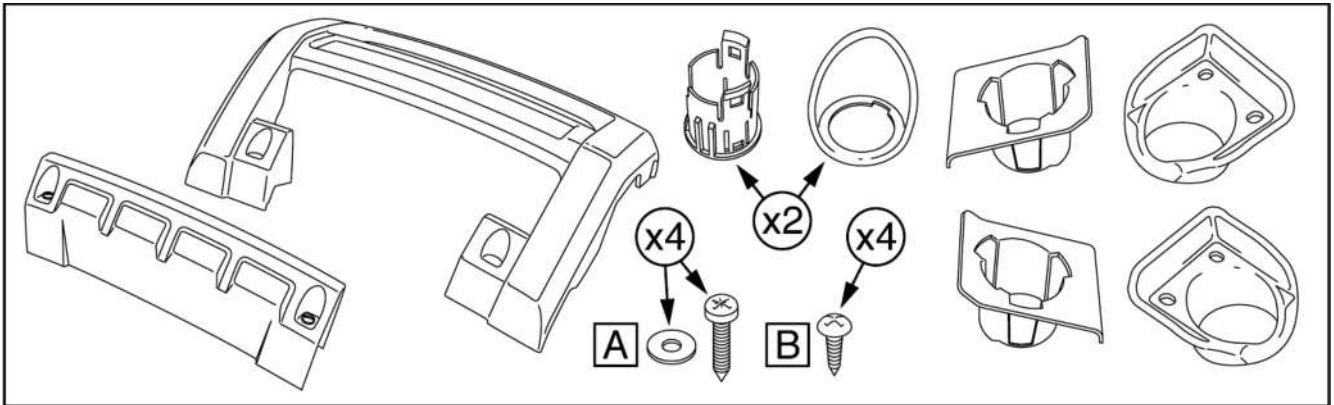
# **BRITPART**

The quality parts for Land Rovers



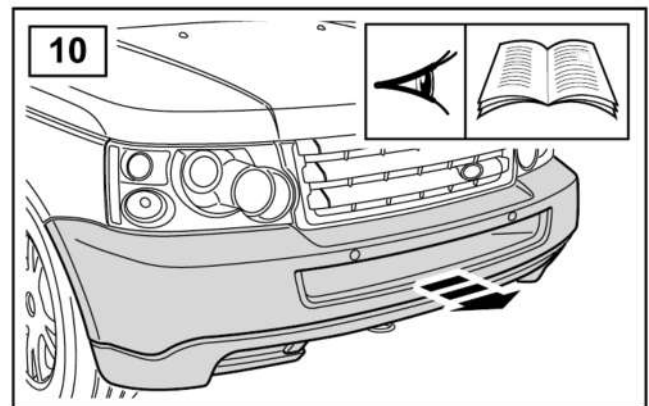
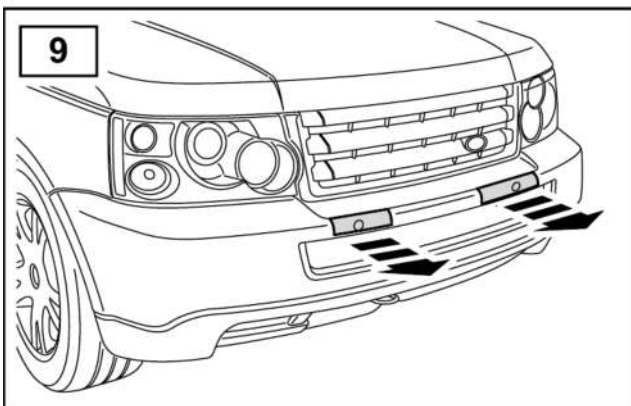
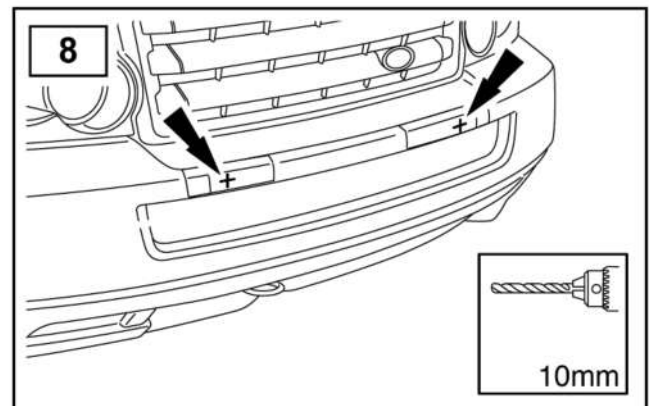
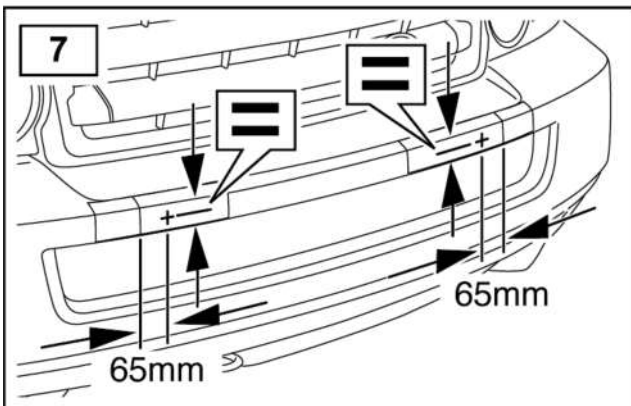
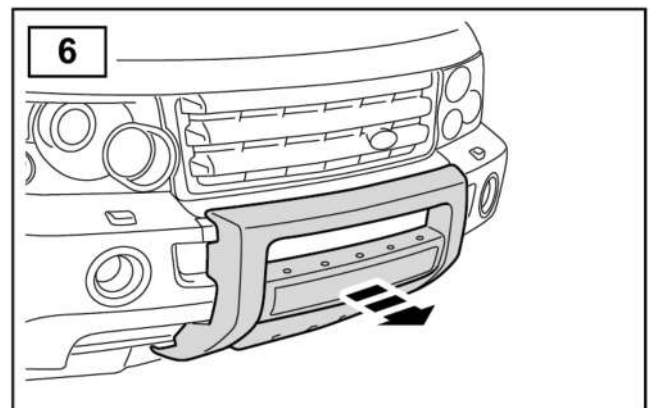
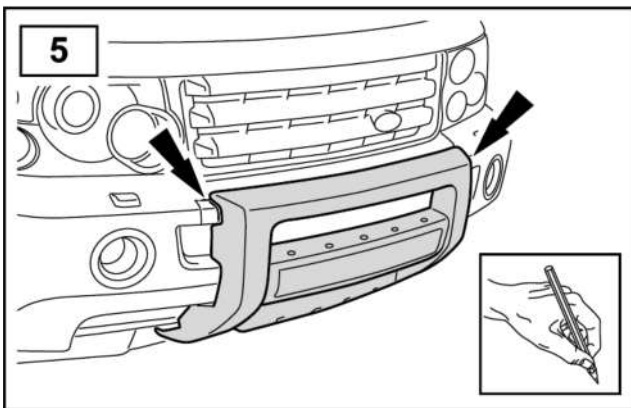
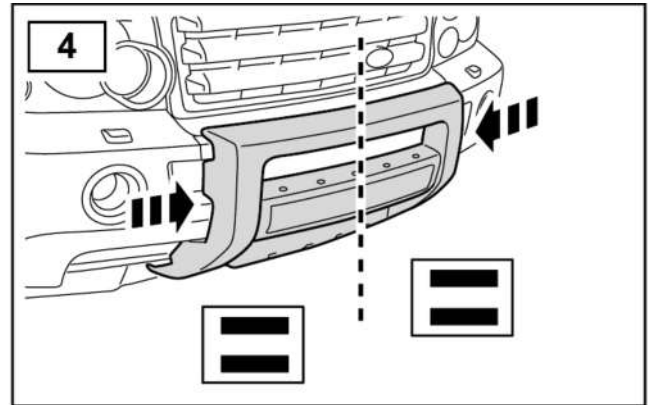
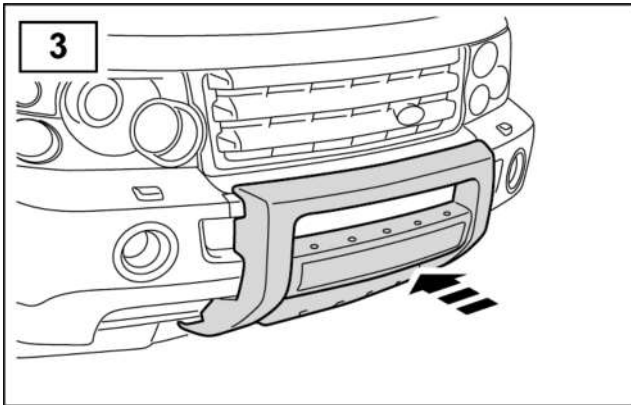
# Fitting Instructions

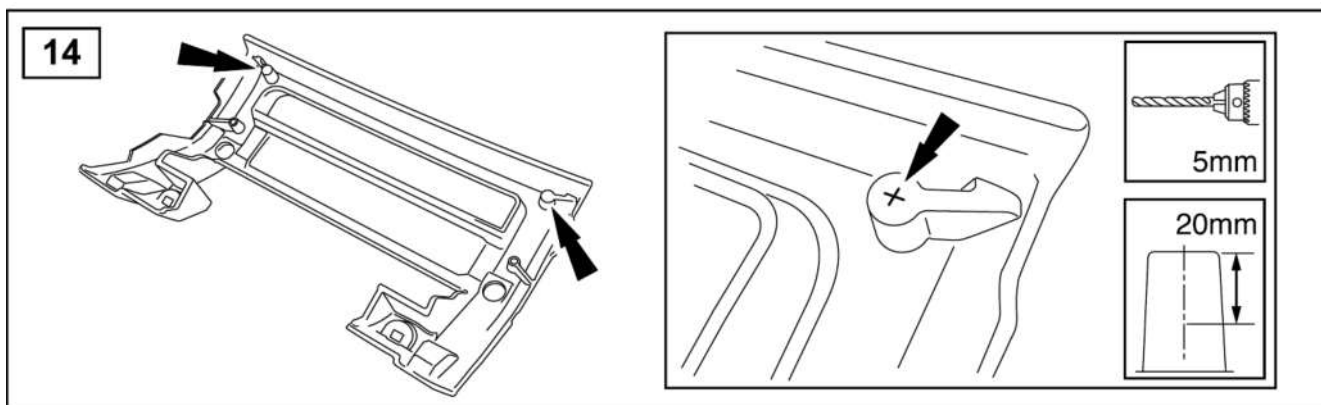
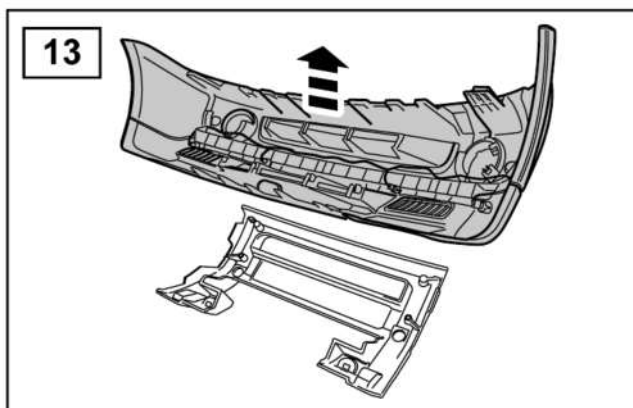
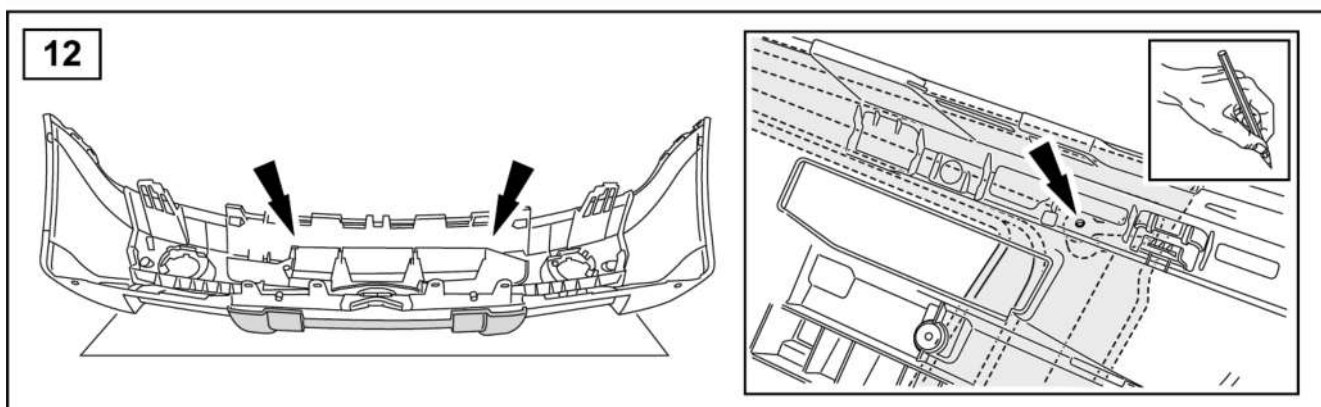
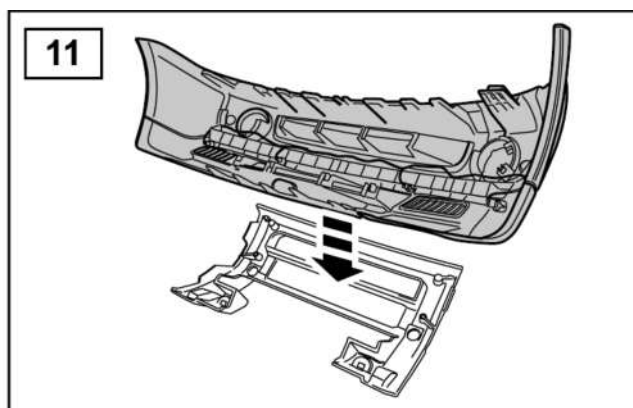
Range Rover Sport - A Bar

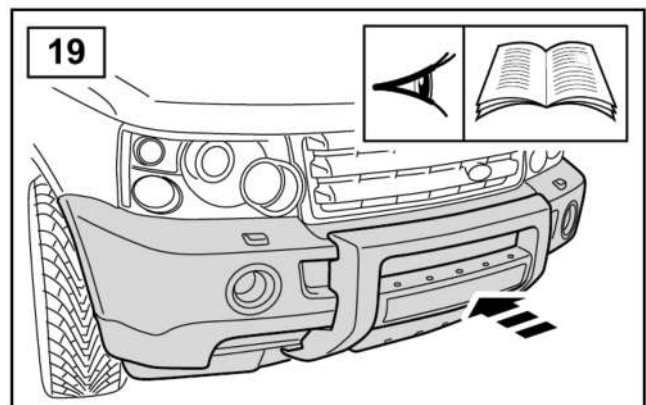
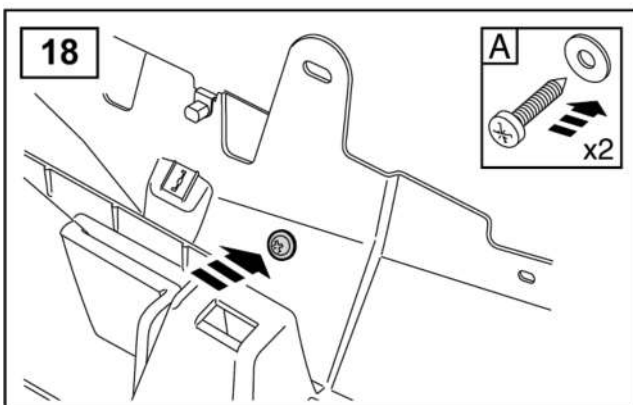
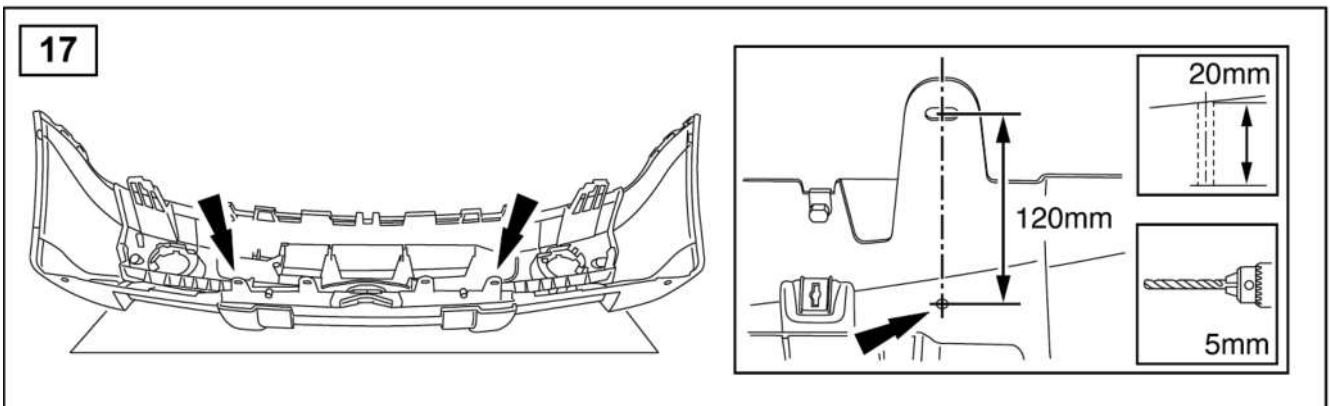
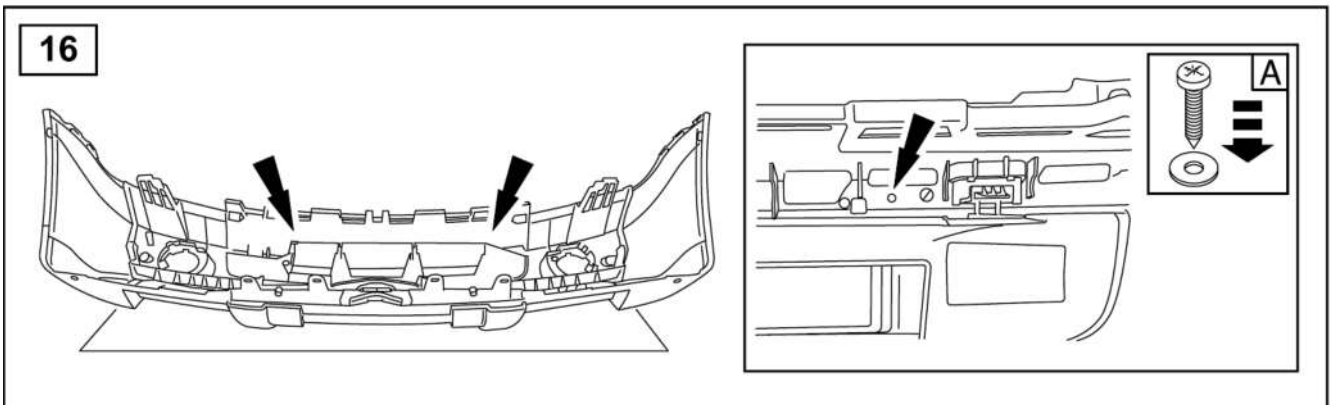
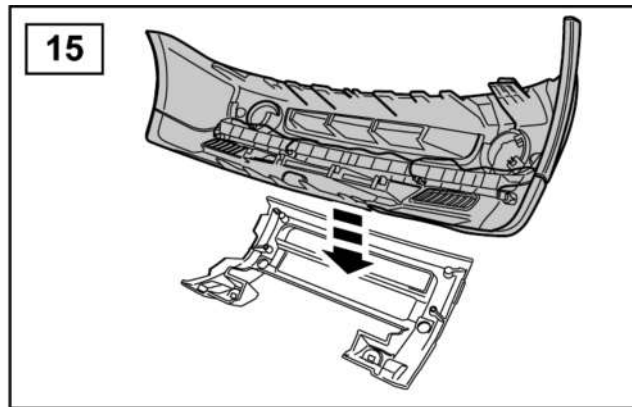


# Fitting Instructions

## Range Rover Sport - A Bar

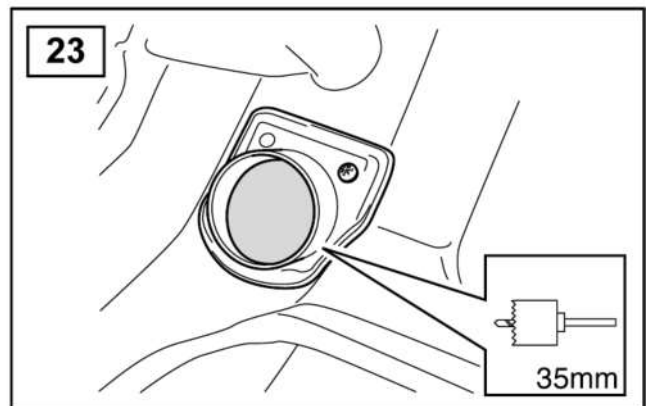
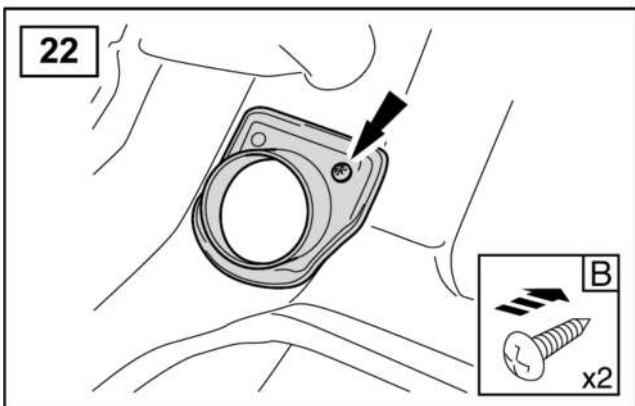
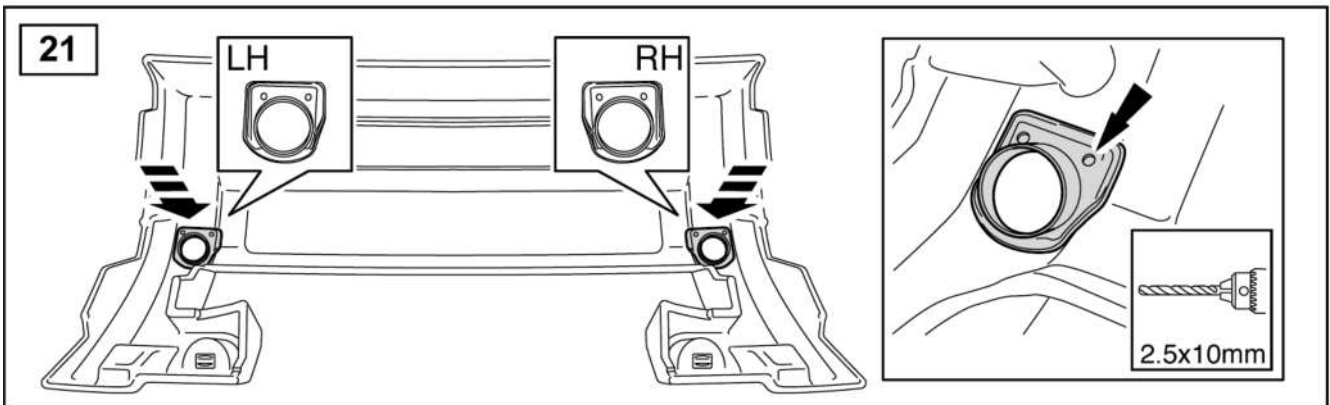
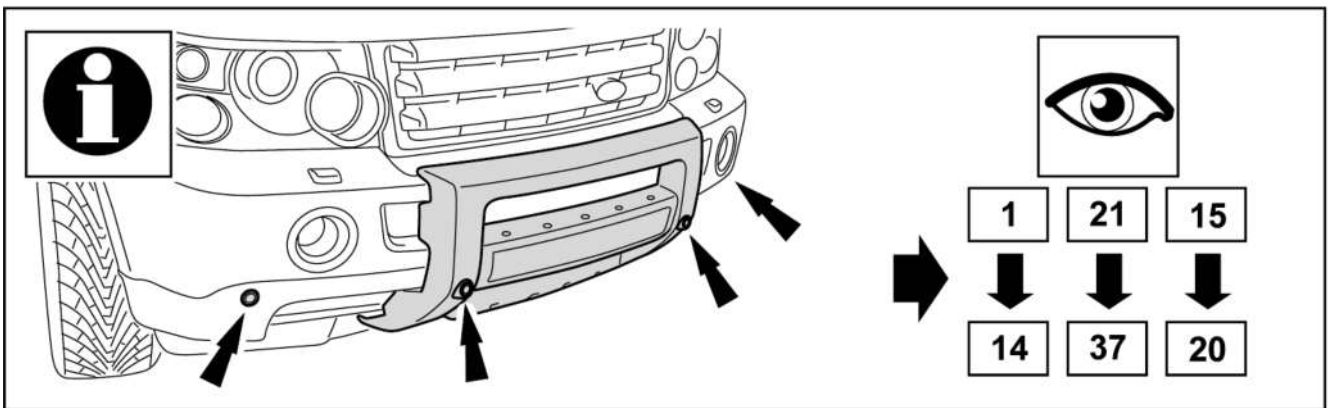
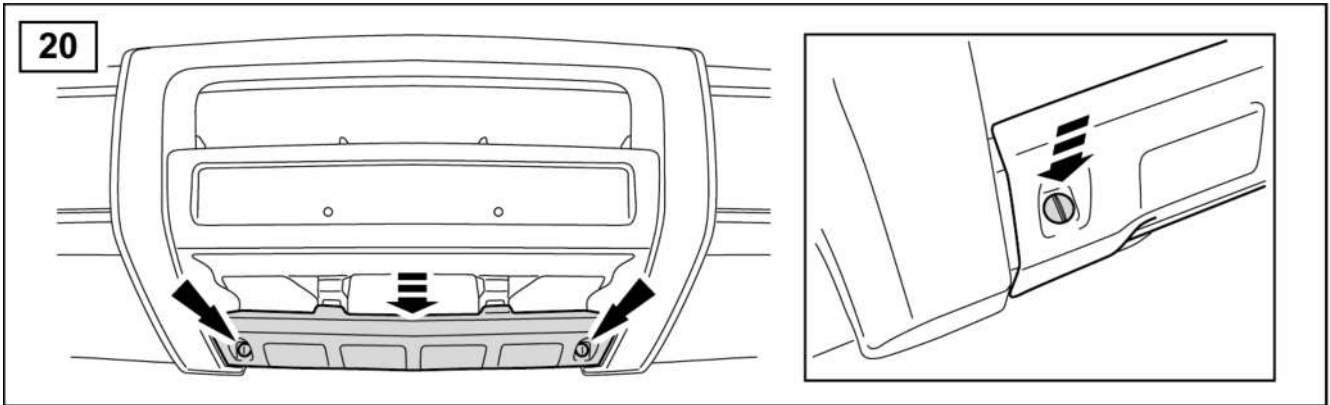






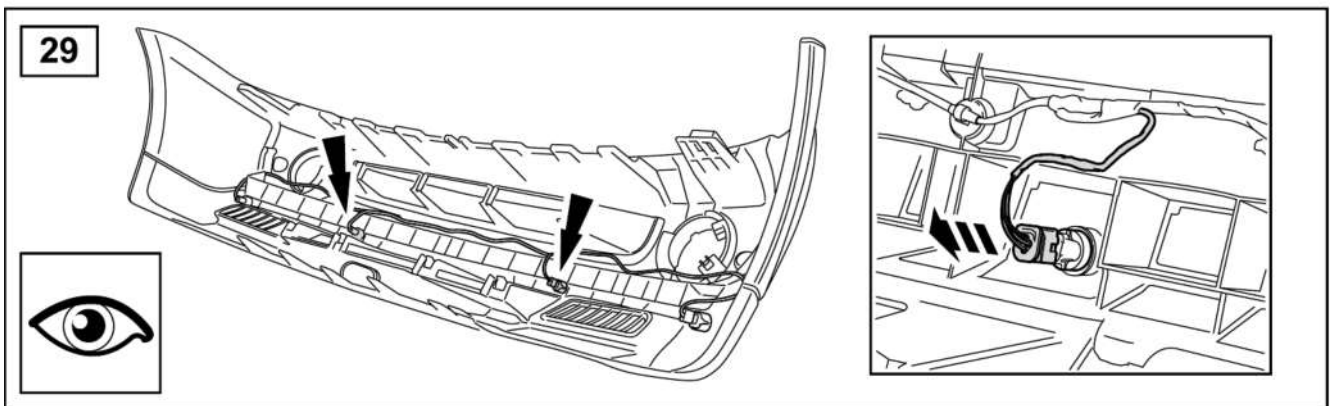
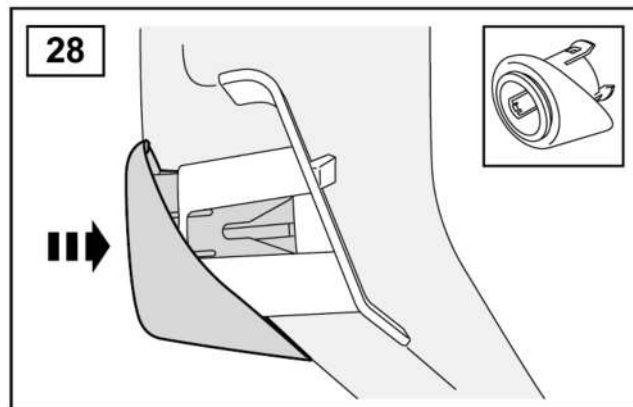
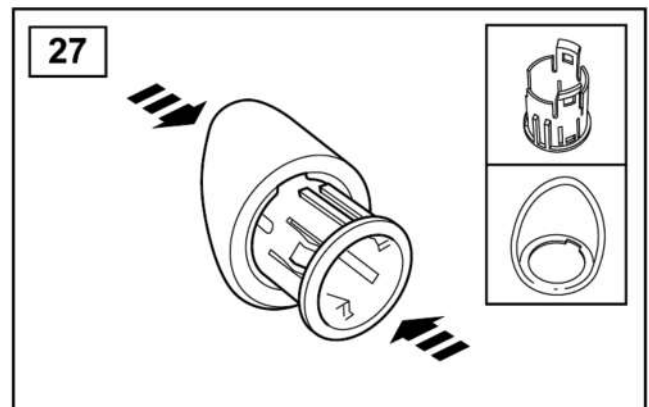
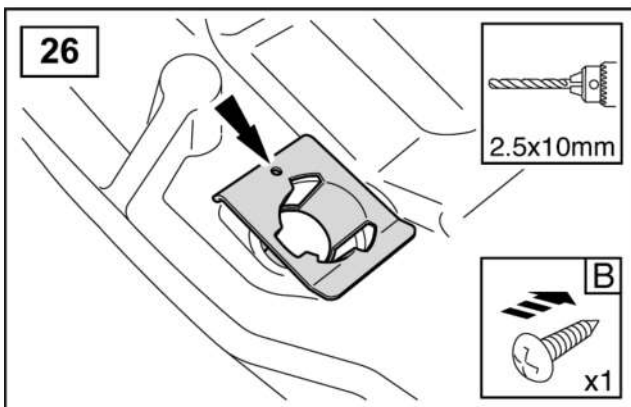
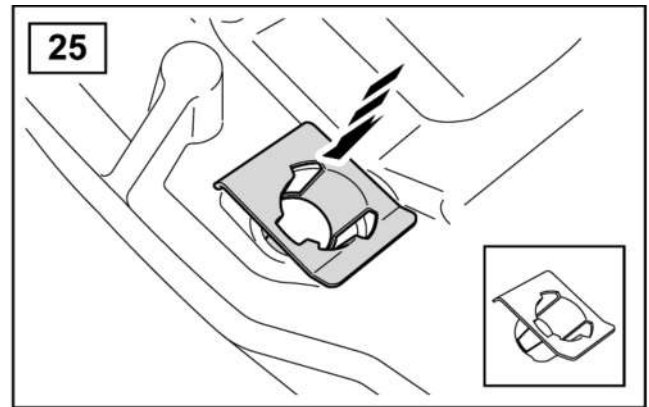
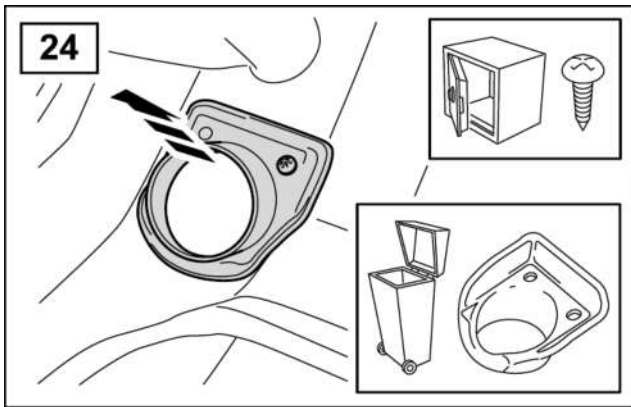
# Fitting Instructions

Range Rover Sport - A Bar



# Fitting Instructions

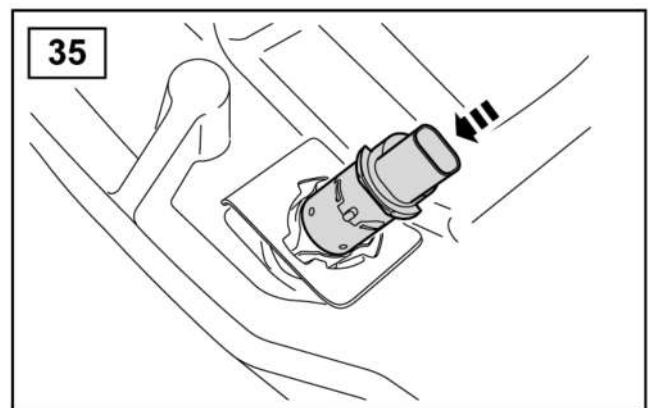
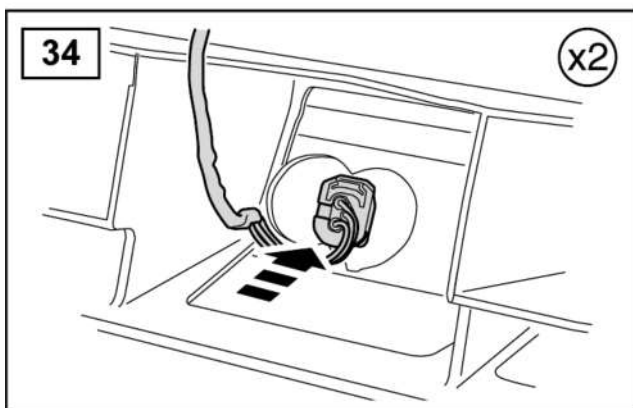
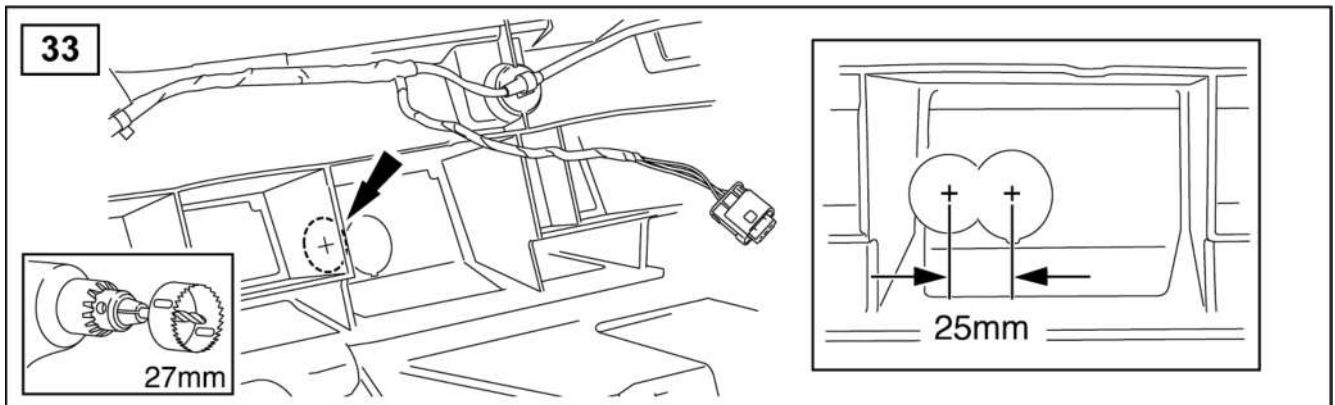
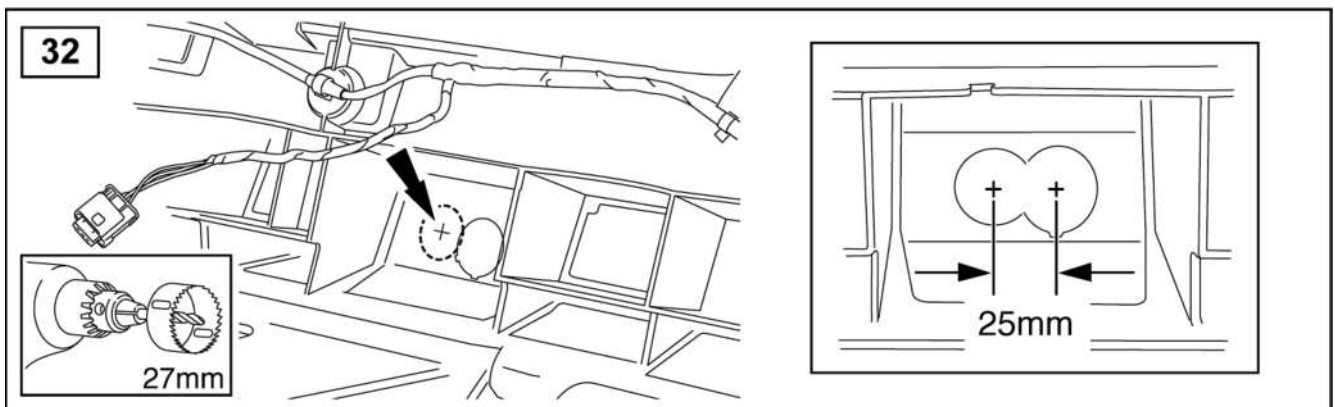
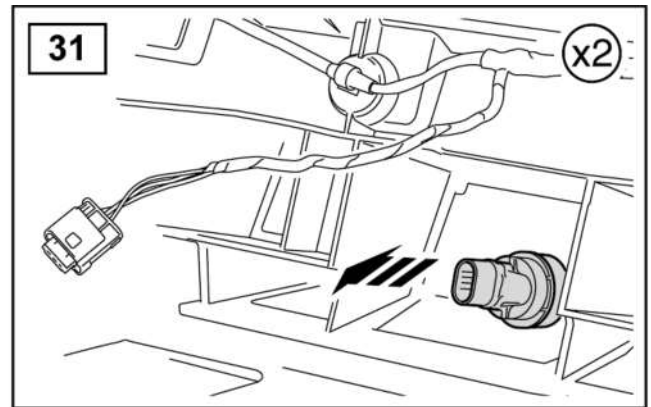
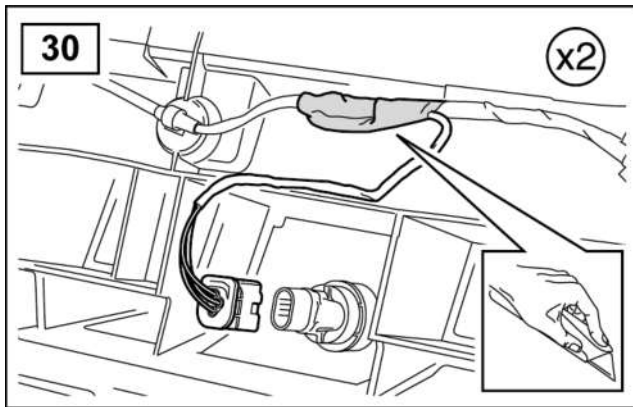
Range Rover Sport - A Bar





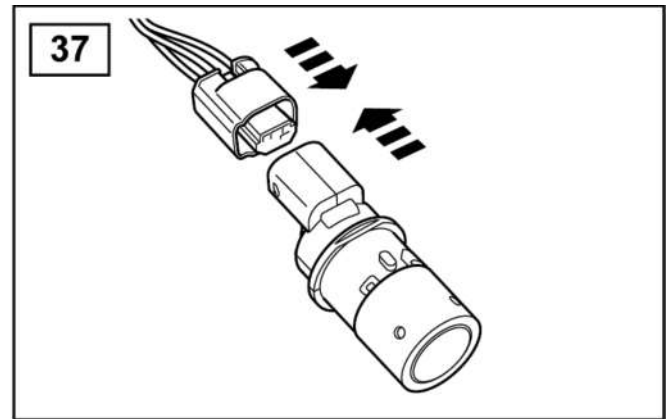
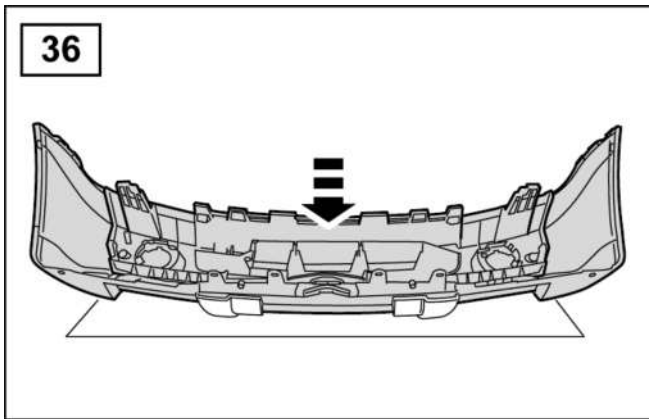
# Fitting Instructions

## Range Rover Sport - A Bar



# Fitting Instructions

Range Rover Sport - A Bar



## WARNING

Accessories which are not properly fitted can be dangerous.

Read the instructions carefully prior to fitting.

Whilst fitting, comply with the instructions at all times.